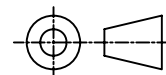
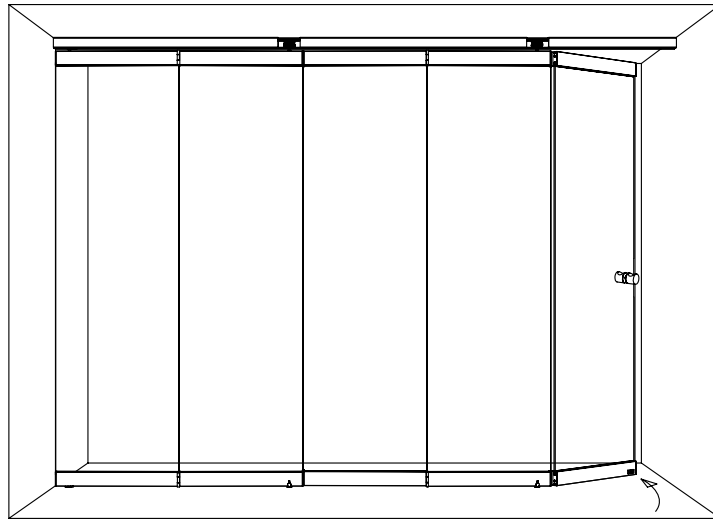
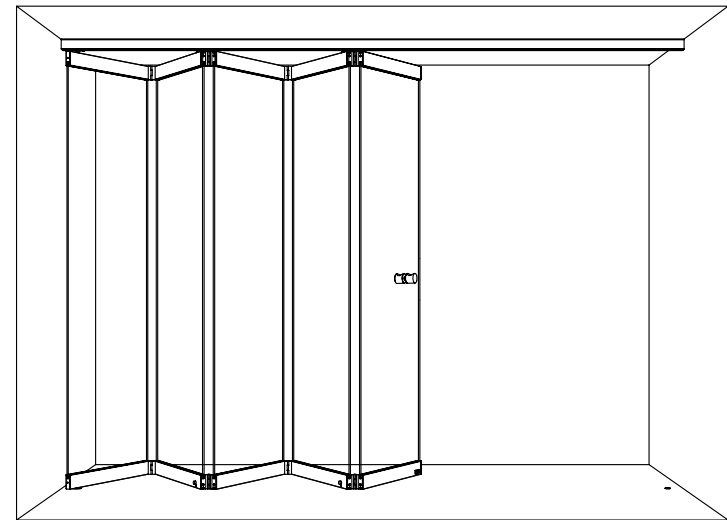


Isometric View

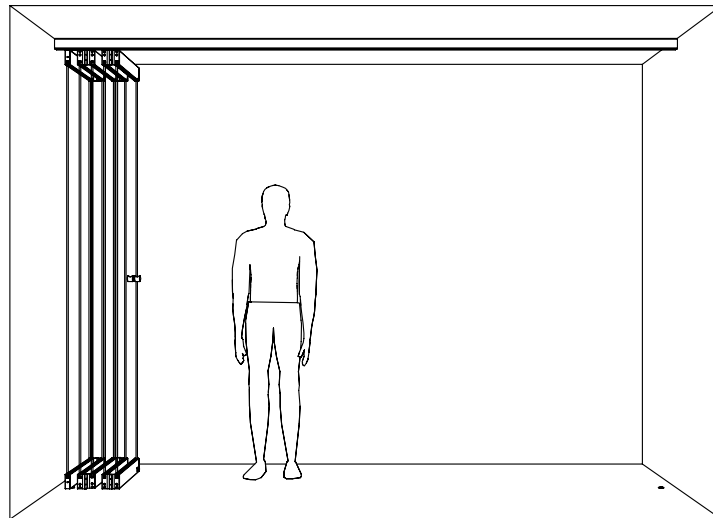




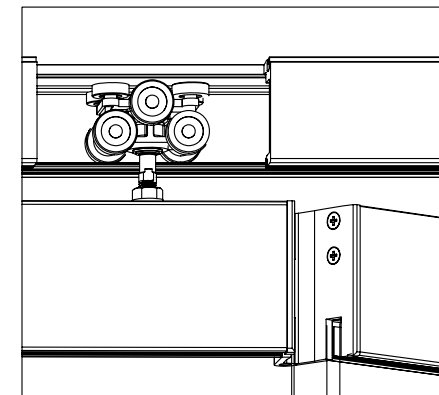
PERSPECTIVE ELEVATION LAST PANEL USED AS SWING DOOR



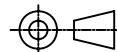
PERSPECTIVE ELEVATION PARTIALLY OPEN

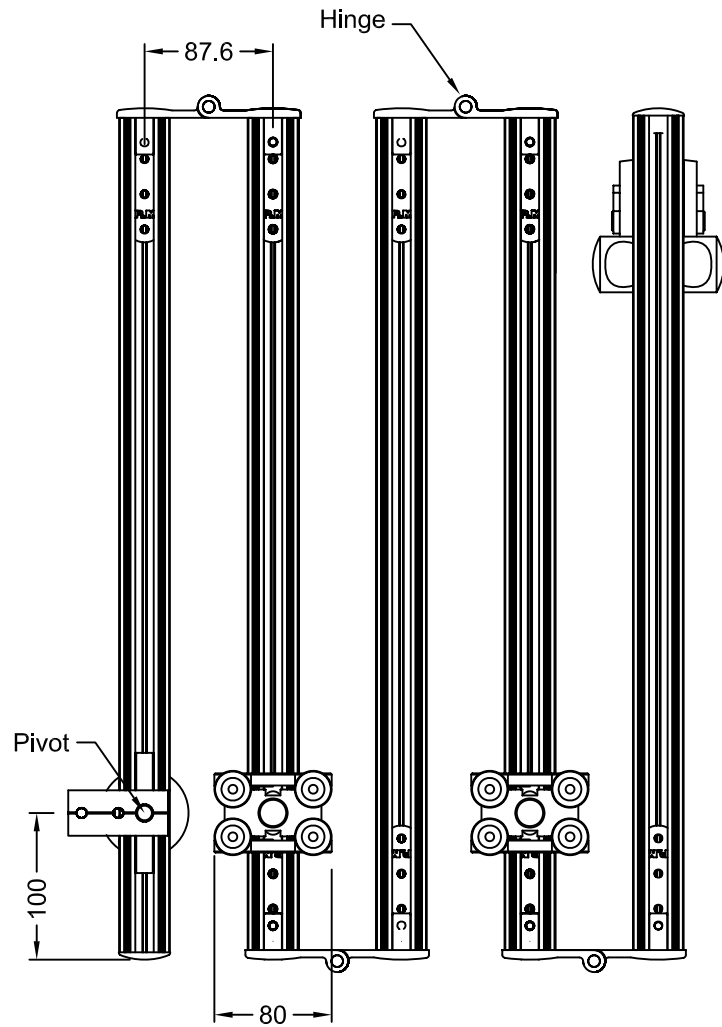


PERSPECTIVE ELEVATION FULLY OPEN

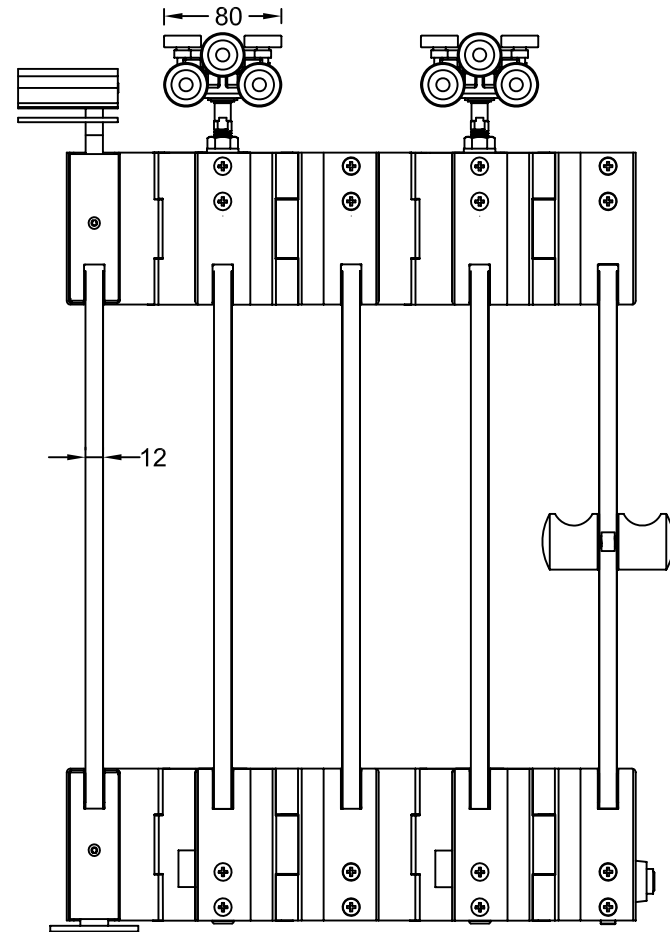


400C10 ROLLER





TOP VIEW



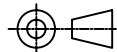
END VIEW



Preference Pte. Ltd.
www.preference.com.sg

Model: SLF400 Top and End View

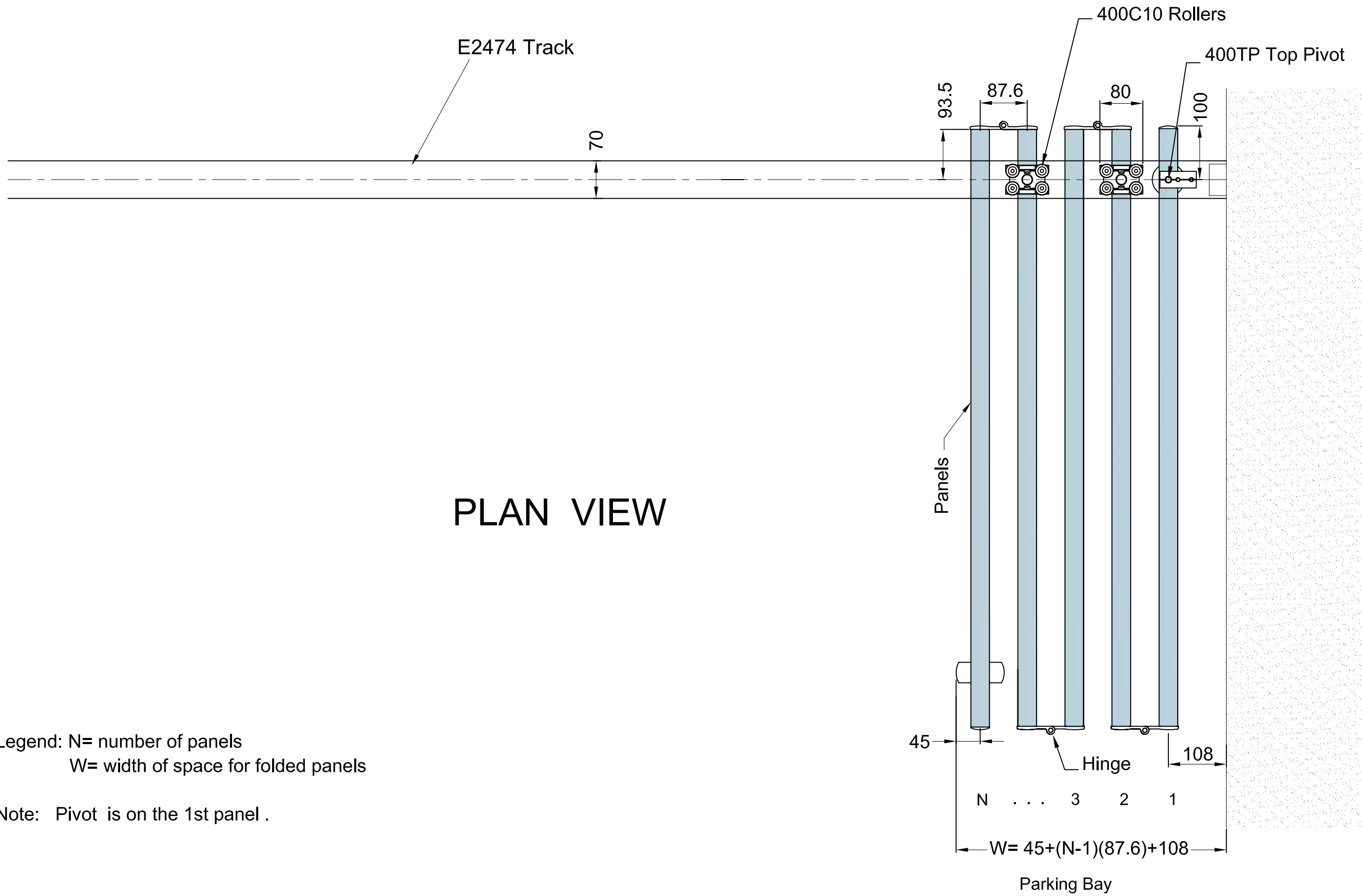
Art. No.



Date : 08-MAY-2013

Disclaimer:

This drawing shows the actual stage of product development at the date indicated. No claims or damages in any form can be made against Preference Pte. Ltd. as a result of the interpretation of this drawing. This drawing remains the property of Preference Pte. Ltd. and is made available to third parties only for the duration of contractual obligations. All rights connected with this drawing remain in possession of Preference Pte. Ltd. This drawing may not be copied or handed over to third parties without the express consent of Preference Pte. Ltd.



Legend: N= number of panels
 W= width of space for folded panels

Note: Pivot is on the 1st panel .

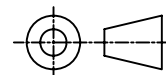


Model: SLF400 Parking Bay Layout

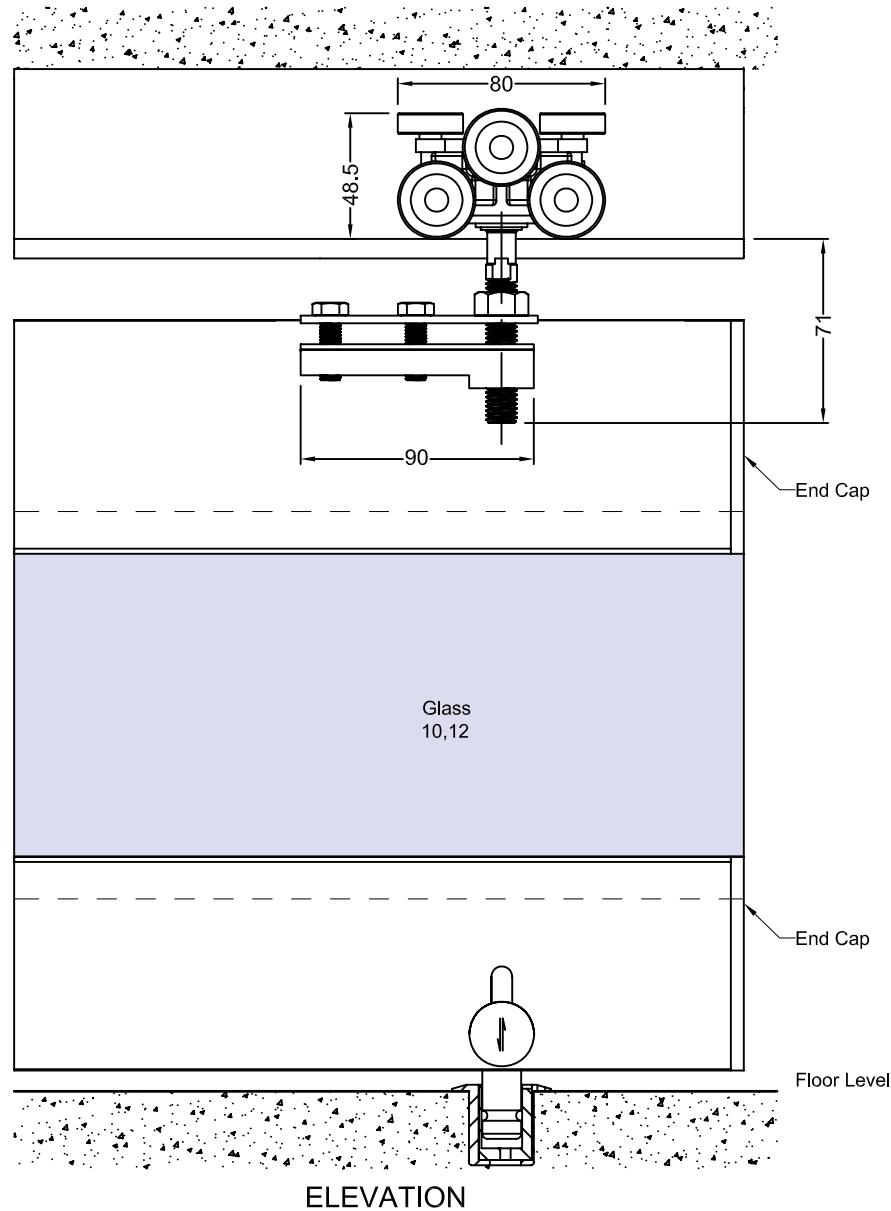
Art. No.

Disclaimer:
 This drawing shows the actual stage of product development at the date indicated. No claims or damages in any form can be made against Preference Pte. Ltd. as a result of the interpretation of this drawing. This drawing remains the property of Preference Pte. Ltd. and is made available to third parties only for the duration of contractual obligations. All rights connected with this drawing remain in possession of Preference Pte. Ltd. This drawing may not be copied or handed over to third parties without the express consent of Preference Pte. Ltd.

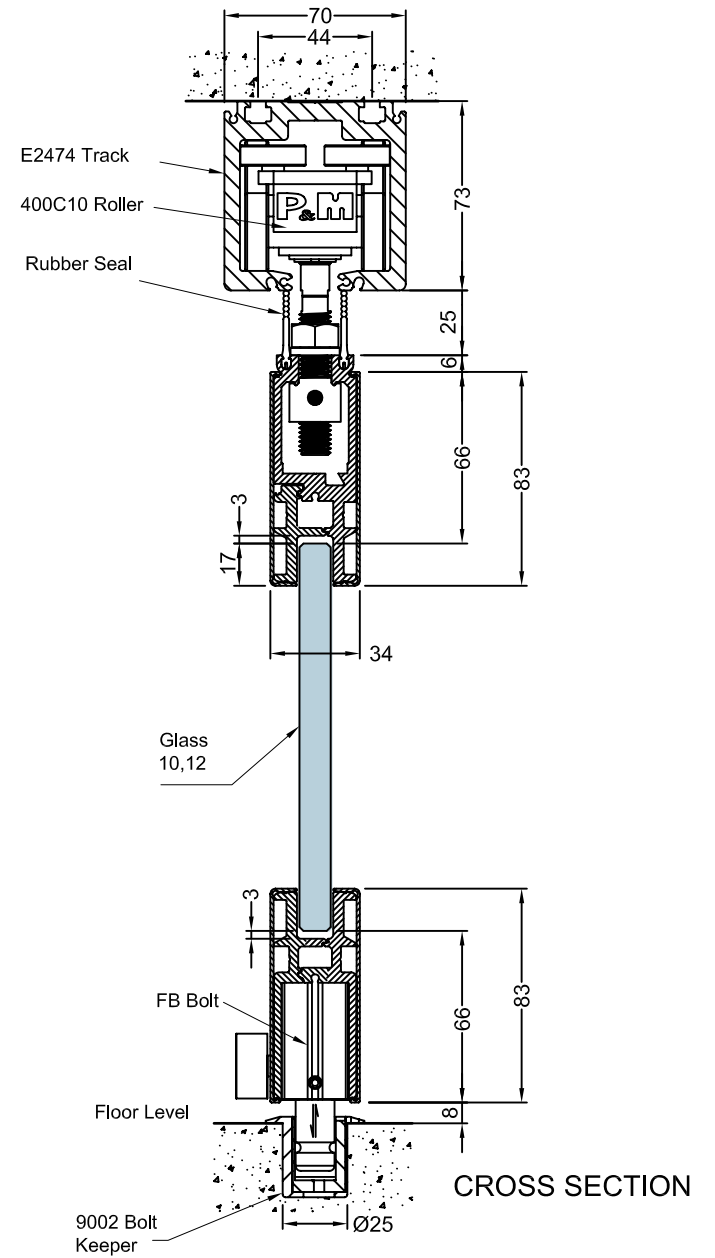
Preference Pte. Ltd.
 www.preference.com.sg



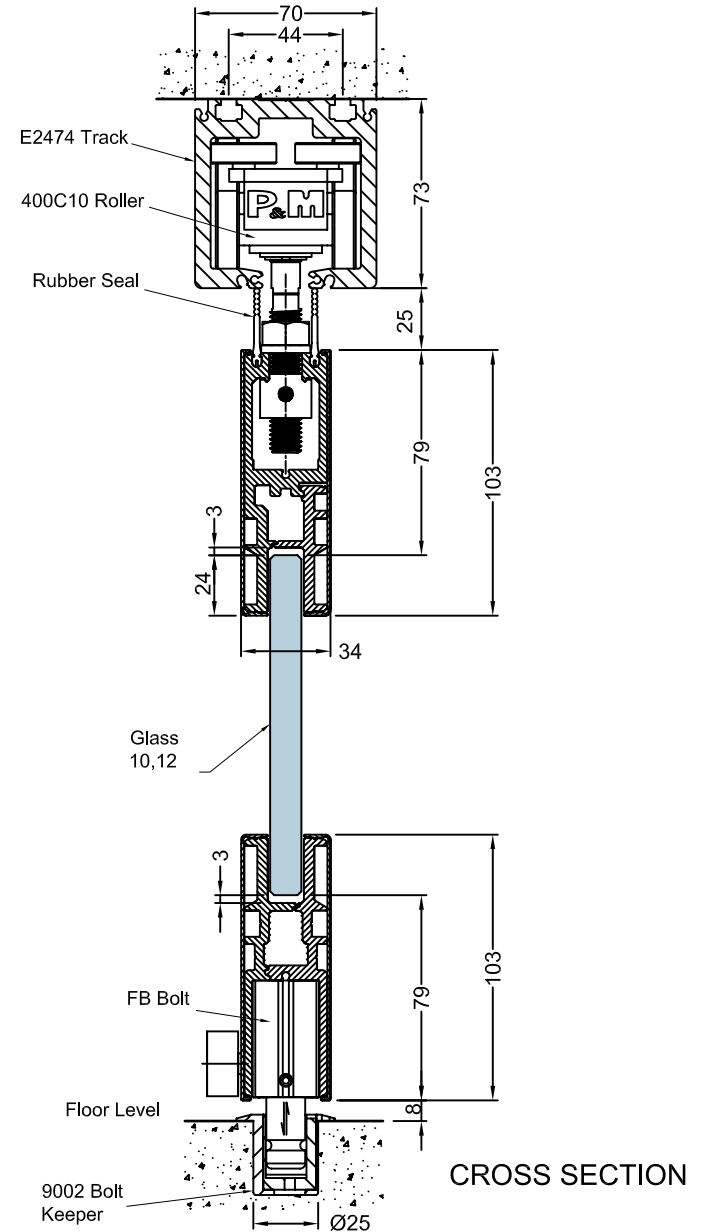
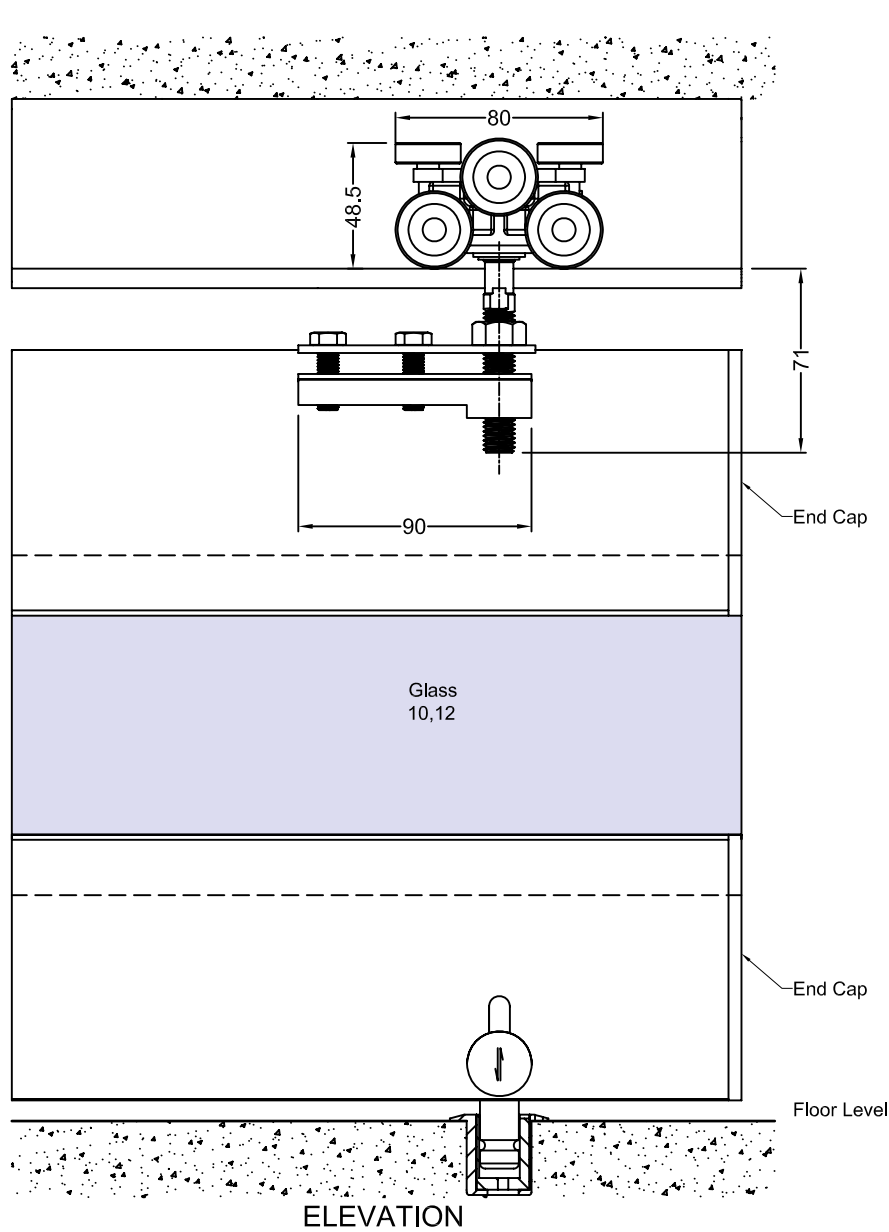
Date : 08-MAY-2013



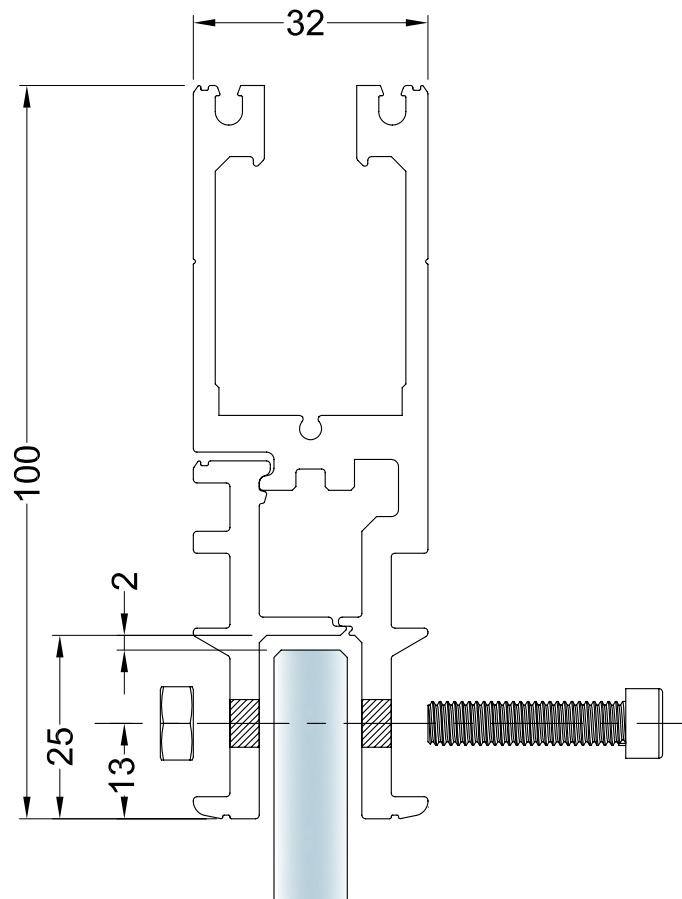
ELEVATION



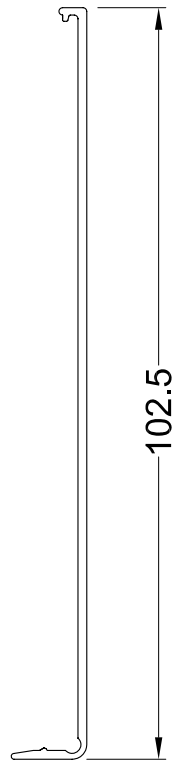
CROSS SECTION



NOTE: Glass thru-hole fixing is recommended for door panels with $\geq 3\text{m}$ height.



SLF400 Top Rails Extrusions



Aluminium Snap-on Cover

