



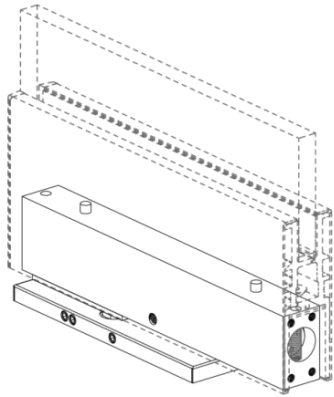
Concealed Bottom Mounted Closer for DRM Rail



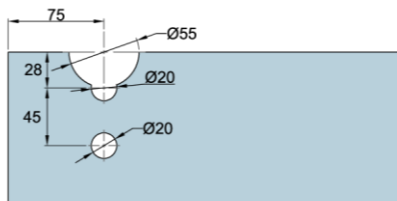
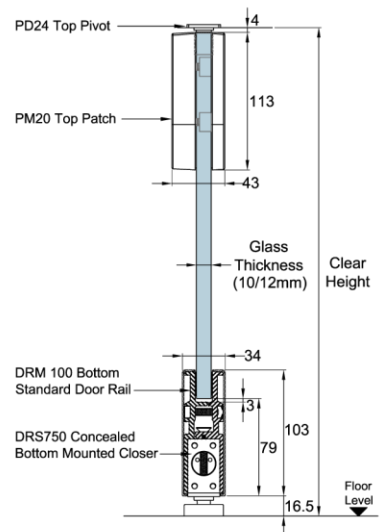
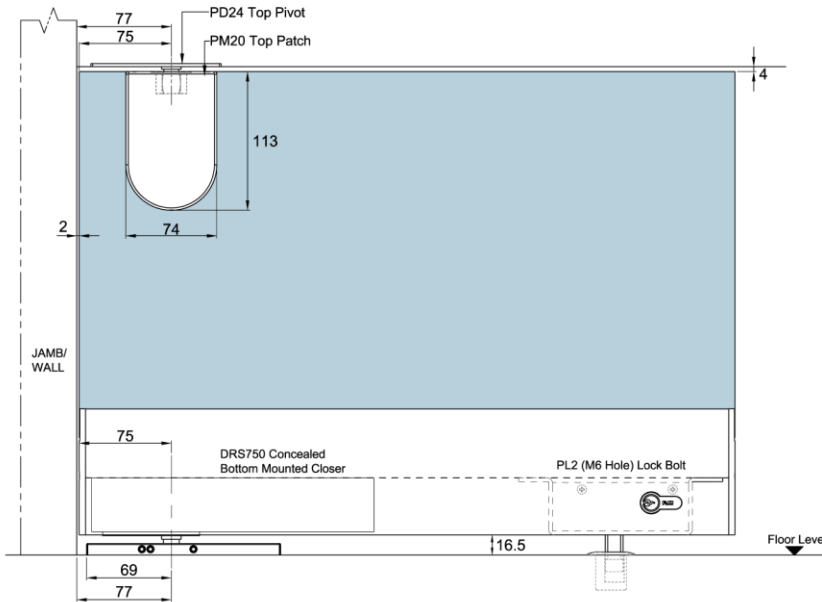
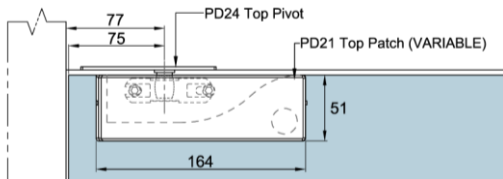
DRS750

Concealed Bottom Mounted Closer for Door Rail

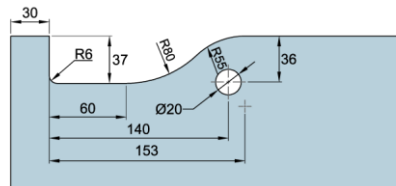
no messy hacking of concrete floor to receive door closer



- 90° Hold Open; Double Action Closer
- To suits DRM100 Door Rail and DRM80 Door Rail (10mm-19mm thick glass panel)
- Maximum Weight: 80 kg
- Adjustable closing speed and latching speed
- Option: timber door application



Glass Preparation for PM20 Top Patch



Glass Preparation for PD21 Top Patch

Due to the company's policy of continuous product development and enhancement, the specifications and details contained in this brochure are subject to alteration without prior notice.

The dimensions, details, specifications and statements made herein or by our representatives arising out of any enquiries are given for information purposes only. They are not intended to have any legal effect and the company will not be bound thereby. The company will only accept obligations which are expressly negotiated for, and agreed and incorporated into written agreements made specifically with its respective customers.