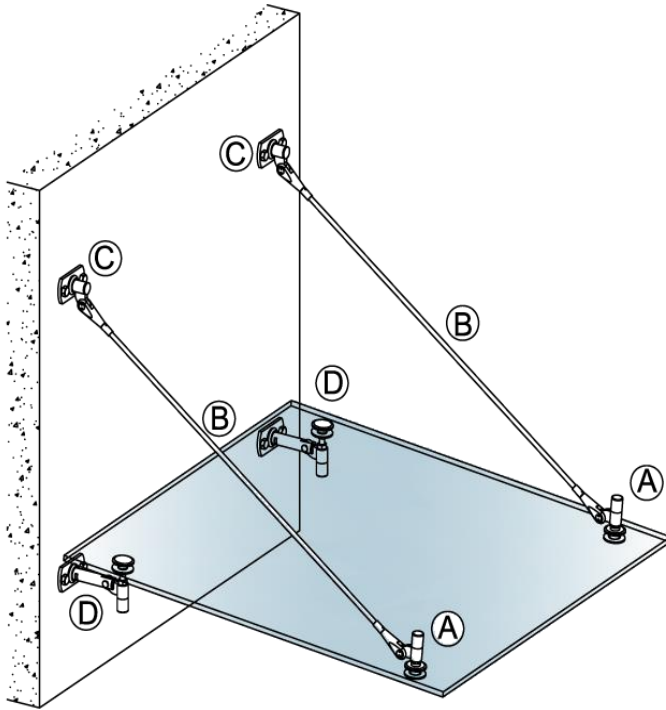


# Canopy Fittings

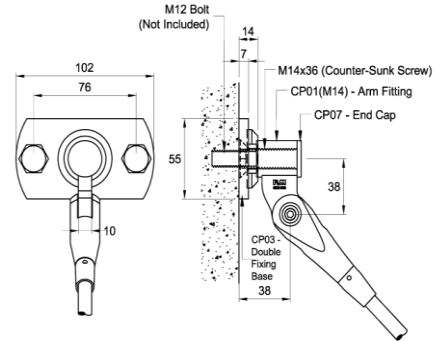


# Type "A" Installation

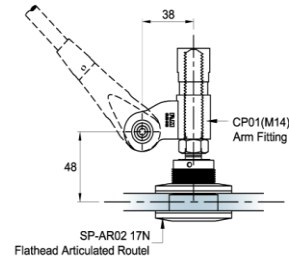
Using CP03 Double fixing base for top and bottom wall fixing



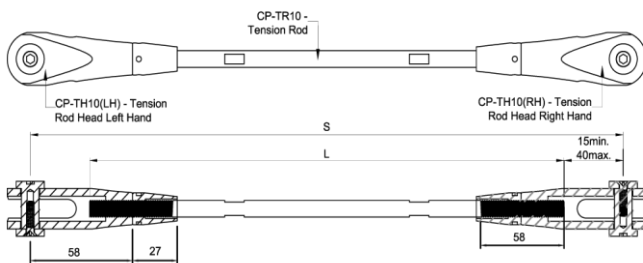
## COMPONENTS:



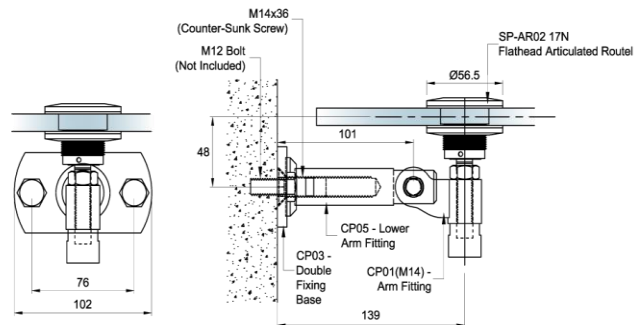
Ⓒ Top Wall Fixing (Double Fixing Base)  
Wall to Tension Rod Connection  
CP01(M14) + CP03 + CP07



Ⓐ Glass Fixing  
Glass to Tension Rod Connection  
CP01(M14) + SP-AR02 17N



Ⓑ Tension Rod System  
CP-TR10 + CP-TH10(RH) + CP-TH10(LH)



Ⓓ Bottom Wall Fixing (Double Fixing Base)  
Wall to Glass Connection  
CP01(M14) + CP03 + CP05 + SP-AR02 17N

CP-TR10 - Ø10 Tension Rod Length Table (Standard Sizes) (L = S - 55)

Model	L	Smin (c/c)	S (c/c)	Smax (c/c)
CP-TR10 (830)	775	805	830	855
CP-TR10 (1025)	970	1000	1025	1050
CP-TR10 (1275)	1220	1250	1275	1300
CP-TR10 (1500)	1445	1475	1500	1525
CP-TR10 (1900)	1845	1875	1900	1925

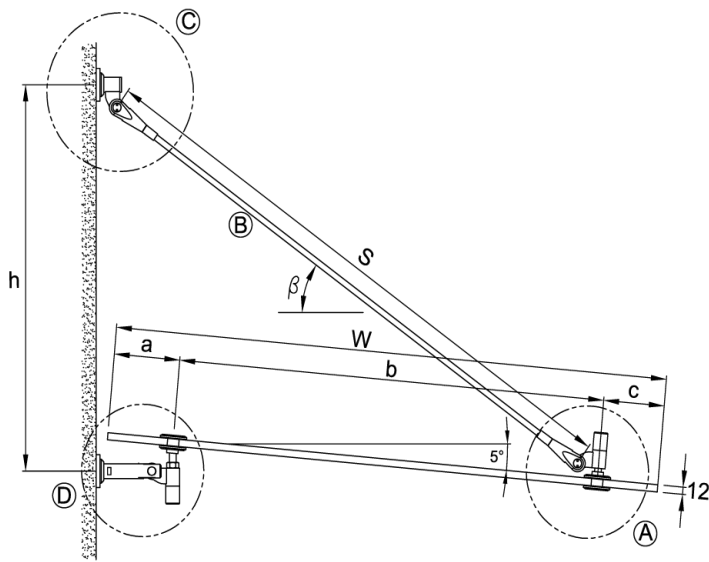
Note: All other sizes are made to order.

S = Center to Center Distance between Left and Right Tension Rod Head  
L = Length of Tension Rod

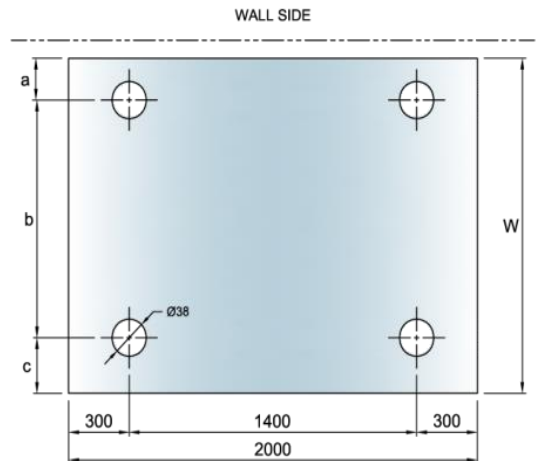
**Type "A" Installation**

Using CP03 Double fixing base for top and bottom wall fixing

- A** – Glass Fixing SP-AR02 17N (Glass to tension rod) 2nos
- B** – Tension Rod 2nos
- C** – Top Wall Fixing (CP03 Double fixing base –Wall to tension rod) 2nos
- D** – Bottom Wall fixing (CP03 Double fixing base – Wall to glass) 2nos



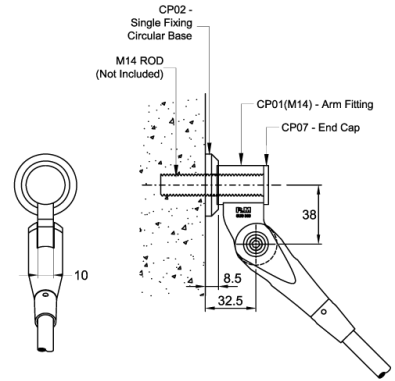
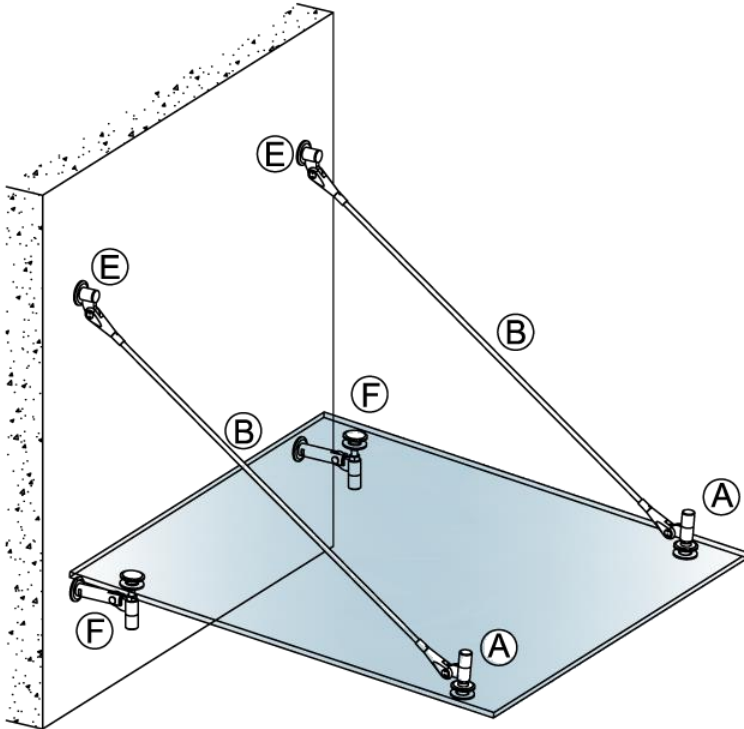
Type " A " Installation & Glass Preparation Dimensions Table					
<b>W</b>	800	1000	1250	1500	1750
<b>S</b>	830	1025	1275	1500	1900
<b>a</b>	110	110	110	110	110
<b>b</b>	580	640	890	1090	1290
<b>c</b>	110	250	250	300	350
<b>h</b>	591	807	888	984	1341
<b>β</b>	39°	46°	42°	40°	45°



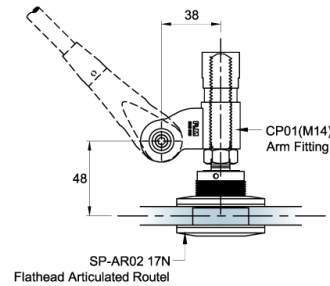
Glass Preparation

# Type "A" Installation

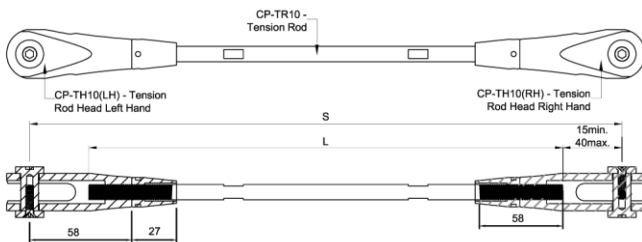
Using CP02 Single fixing base for top and bottom wall fixing



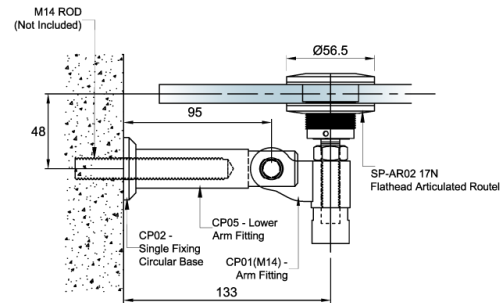
Ⓔ Top Wall Fixing (Single Fixing Base)  
Wall to Tension Rod Connection  
CP01(M14) + CP02 + CP07



Ⓐ Glass Fixing  
Glass to Tension Rod Connection  
CP01(M14) + SP-AR02 17N



Ⓑ Tension Rod System  
CP-TR10 + CP-TH10(RH) + CP-TH10(LH)



Ⓕ Bottom Wall Fixing (Single Fixing Base)  
Wall to Glass Connection  
CP01(M14) + CP02 + CP05 + SP-AR02 17N

CP-TR10 - Ø10 Tension Rod Length Table (Standard Sizes) (L = S - 55)

Model	L	Smin (c/c)	S (c/c)	Smax (c/c)
CP-TR10 (830)	775	805	830	855
CP-TR10 (1025)	970	1000	1025	1050
CP-TR10 (1275)	1220	1250	1275	1300
CP-TR10 (1500)	1445	1475	1500	1525
CP-TR10 (1900)	1845	1875	1900	1925

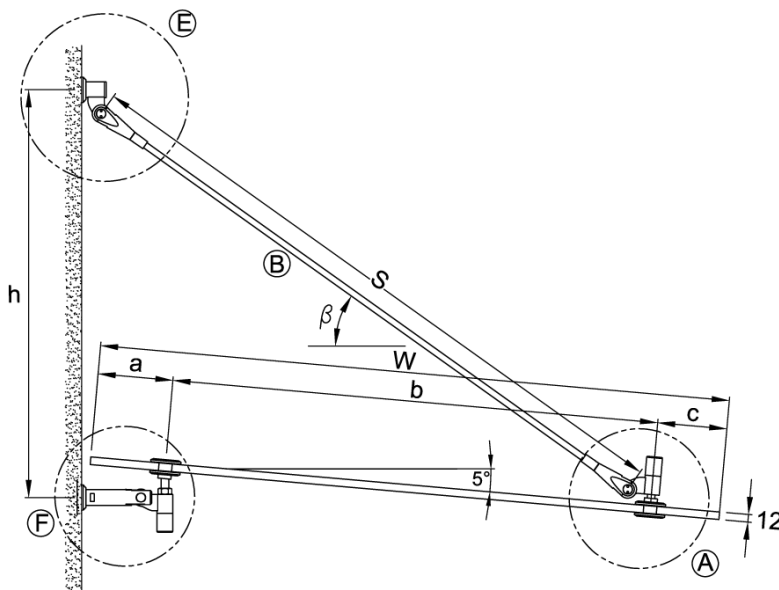
Note: All other sizes are made to order.

S = Center to Center Distance between Left and Right Tension Rod Head  
L = Length of Tension Rod

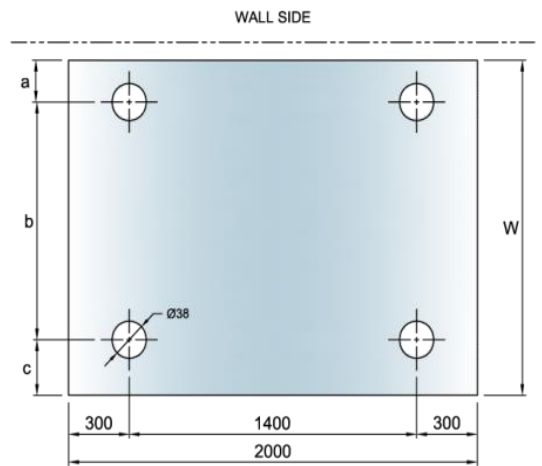
**Type "A" Installation**

Using CP02 Single fixing base for top and bottom wall fixing

- A** – Glass Fixing SP-AR02 17N (Glass to tension rod) 2nos
- B** – Tension Rod 2nos
- C** – Top Wall Fixing (CP02 Single fixing base –Wall to tension rod) 2nos
- D** – Bottom Wall fixing (CP02 Single fixing base – Wall to glass) 2nos



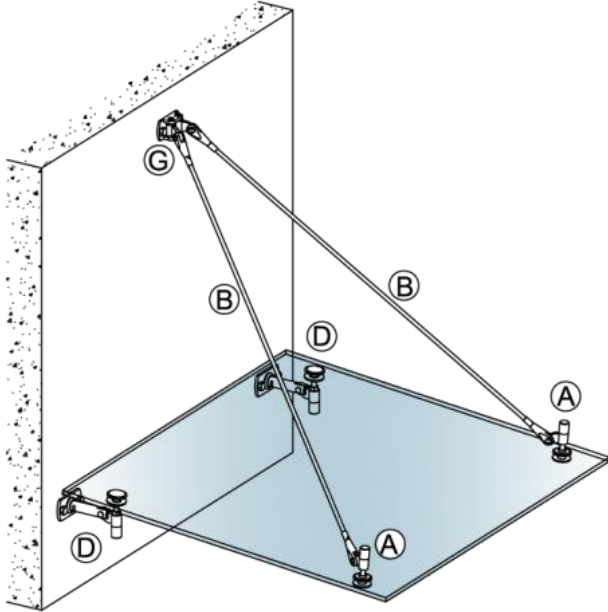
Type " A " Installation & Glass Preparation Dimensions Table					
<b>W</b>	800	1000	1250	1500	1750
<b>S</b>	830	1025	1275	1500	1900
<b>a</b>	110	110	110	110	110
<b>b</b>	580	640	890	1090	1290
<b>c</b>	110	250	250	300	350
<b>h</b>	591	807	888	984	1341
<b>β</b>	39°	46°	42°	40°	45°



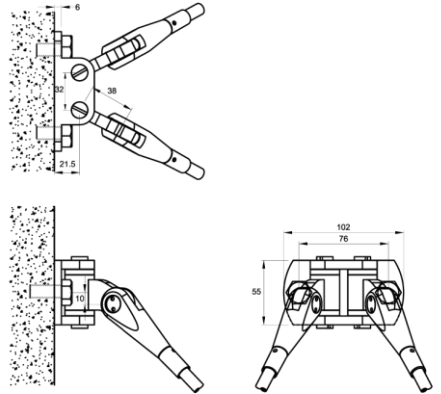
Glass Preparation

# Type "B" Installation

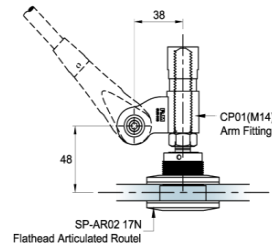
Using CP04 Double fixing base for wall fixing



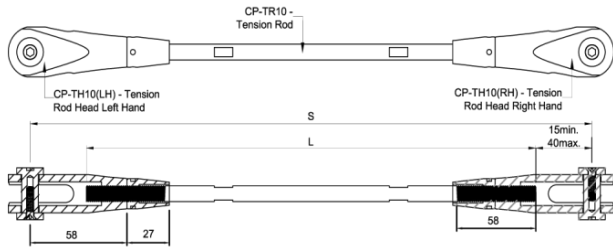
## COMPONENTS:



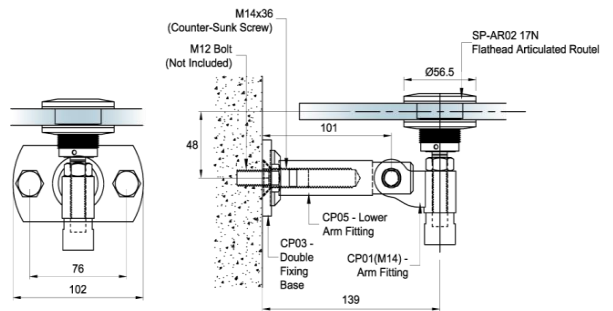
© Top Wall Fixing (Double Fixing Common Base)  
Wall to Tension Rod Connection  
CPO4 Double Fixing Common Base



Ⓐ Glass Fixing  
Glass to Tension Rod Connection  
CP01(M14) + SP-AR02 17N



Ⓑ Tension Rod System  
CP-TR10 + CP-TH10(RH) + CP-TH10(LH)



Ⓓ Bottom Wall Fixing (Double Fixing Base)  
Wall to Glass Connection  
CP01(M14) + CP03 + CP05 + SP-AR02 17N

CP-TR10 - Ø10 Tension Rod Length Table (Standard Sizes) (L = S - 55)

Model	L	Smin (c/c)	S (c/c)	Smax (c/c)
CP-TR10 (830)	775	805	830	855
CP-TR10 (1025)	970	1000	1025	1050
CP-TR10 (1275)	1220	1250	1275	1300
CP-TR10 (1500)	1445	1475	1500	1525
CP-TR10 (1900)	1845	1875	1900	1925

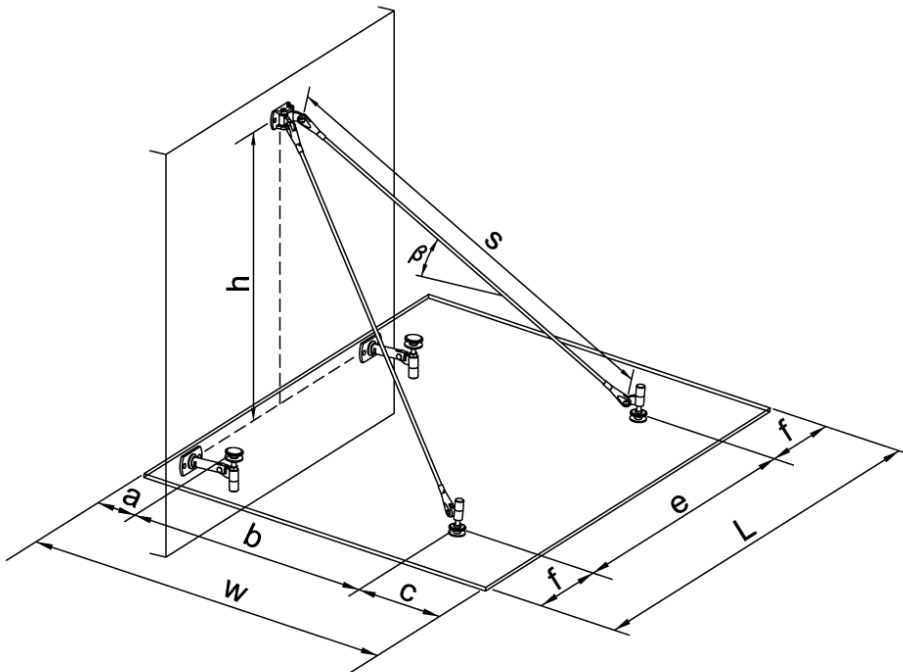
Note: All other sizes are made to order.

S = Center to Center Distance between Left and Right Tension Rod Head  
L = Length of Tension Rod

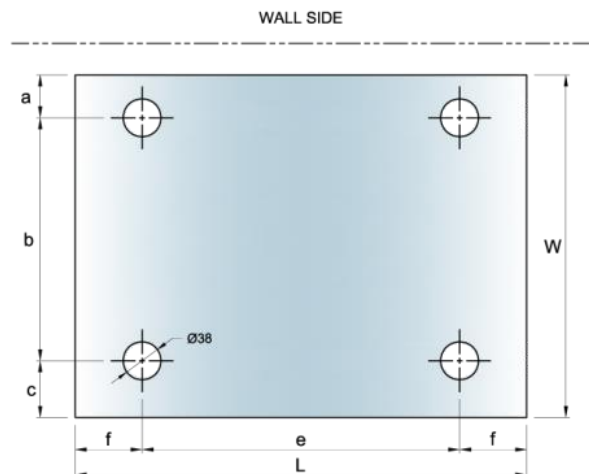
**Type "B" Installation**

Using CP04 Double fixing base for top wall fixing

- A** – Glass Fixing SP-AR02 17N (Glass to tension rod) 2nos
- B** – Tension Rod 2nos
- C** – Top Wall Fixing (CP04 Double fixing base –Wall to tension rod) 2nos
- D** – Bottom Wall fixing (CP03 Double fixing base – Wall to glass) 2nos



Type "B" Installation & Glass Preparation Dimensions Table	
W	1500
S	1900
a	110
b	1090
c	300
e	1400
f	300
h	1363
β	47°



Glass Preparation

## Applications

- Suitable for glass facade, skylights, interior glass and architectural systems.

## Finishes

- Satin Stainless Steel

## Material

- SUS316

## Test Report

TUV SUD PSB Singapore

- Load Capability Test (Proof Load 20kN)

*Due to the company's policy of continuous product development and enhancement, the specifications and details contained in this brochure are subject to alteration without prior notice.*

*The dimensions, details, specifications and statements made herein or by our representatives arising out of any enquiries are given for information purposes only. They are not intended to have any legal effect and the company will not be bound thereby. The company will only accept obligations which are expressly negotiated for, and agreed and incorporated into written agreements made specifically with its respective customers.*

## RELATED PRODUCTS



**Spider Fittings – Kellan Series**



**Standoffs – Torin Series**