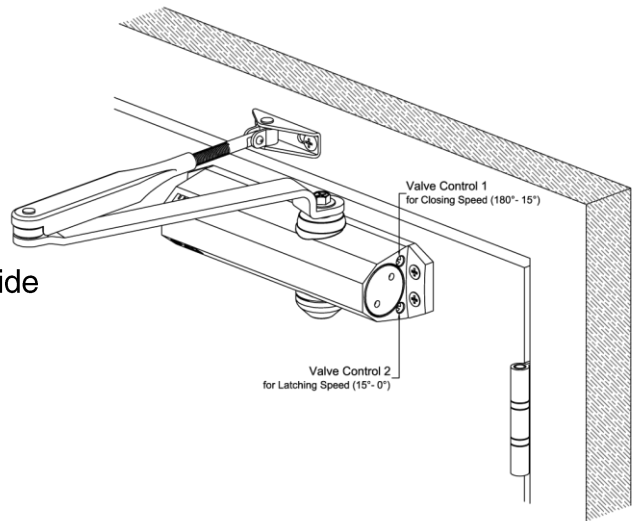
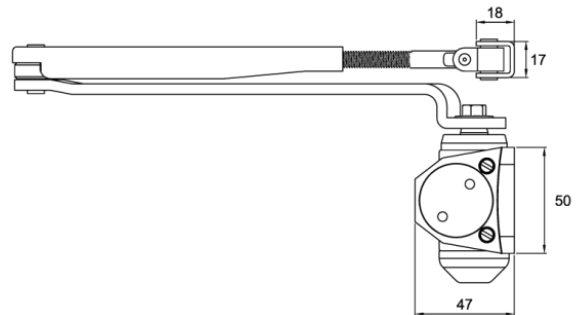
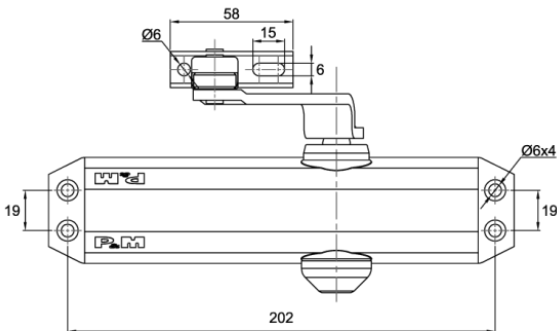


Application:

- Suitable for left or right opening
- Maximum door weight : 65kg
- Door Control
Two independent adjustment valves to provide full hydraulic control of:
Closing Speed 180°-15°
Latching Speed 15° - 0°



Size	Spring Power	Door Width (mm)
2	EN2	≤ 850
3	EN3	≤ 950
4	EN4	≤ 1100



Due to the company's policy of continuous product development and enhancement, the specifications and details contained in this brochure are subject to alteration without prior notice.

The dimensions, details, specifications and statements made herein or by our representatives arising out of any enquiries are given for information purposes only. They are not intended to have any legal effect and the company will not be bound thereby. The company will only accept obligations which are expressly negotiated for, and agreed and incorporated into written agreements made specifically with its respective customers.

Preference Pte Ltd

No.2 Kallang Pudding Road #01-02 Mactech Building Singapore 349307

Tel: (65) 6746 5185 Fax: (65) 6746 8749 Email: enquiry@preference.com.sg Website: www.preference.com.sg