

P&M[®] **TD750S** Heavy Duty Floor Spring

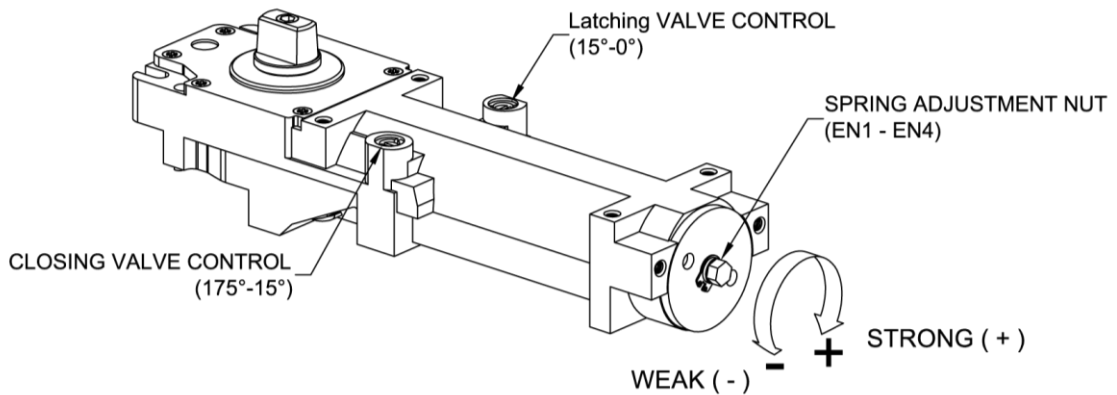
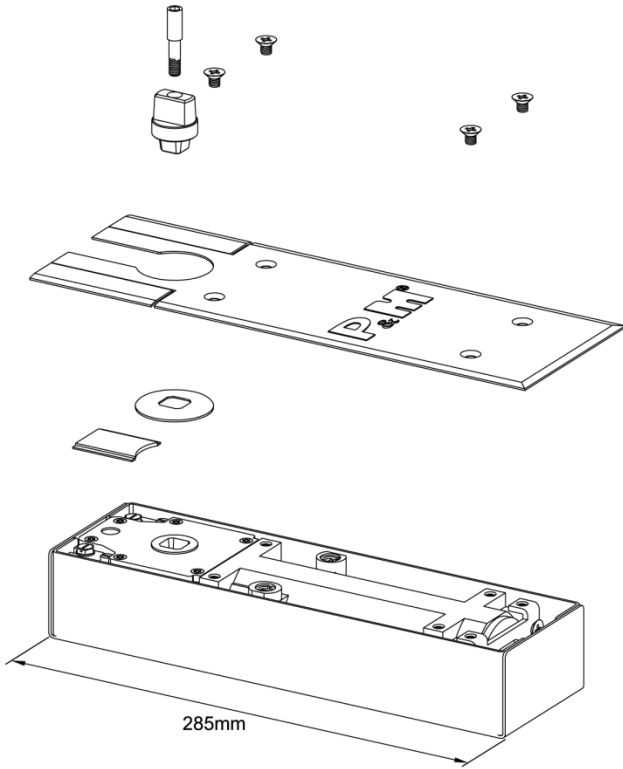
- *Double action floor spring*
- *Mechanical backcheck*
- *Interchangeable spindle*
- *Adjustable spring power from EN1 to EN4*
- *Suitable for door weight up to 150kg*

Applications

- Slim and functional, heavy duty floor spring which is capable of holding door panel weight up to 150 kg.
- Suitable for single and double action doors.
- Interchangeable spindles for easy adaptation to site conditions.
- TD750S Non-hold is available for fire rated door application.

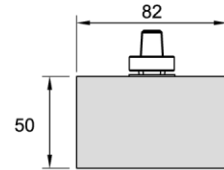
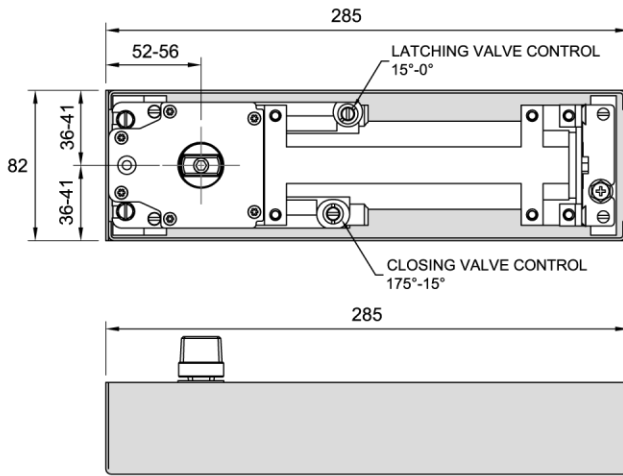
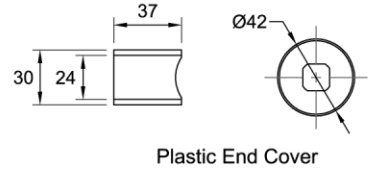
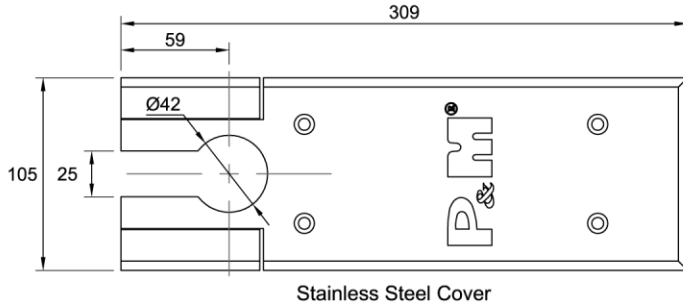
Closing Range and Functions

- 1st adjusting closing range (175°-15°).
- 2nd adjusting latching range (15°-0°).
- Hold open at 90°.
- Optional non-hold to realise full benefits of fully hydraulic closing speed control effective from 175° to 15°.
- Adjustable Spring Power: EN1 to EN4.
- Pressure relief valves to prevent damages due to force closing.
- Mechanical backcheck approximately 70° to cushion against impact.



SPRING POWER	DOOR SIZE	SPRING FORCE
EN4	1100 mm	37 N
EN3	1000 mm	26 N
EN2	900 mm	18 N
EN1	800 mm	13 N

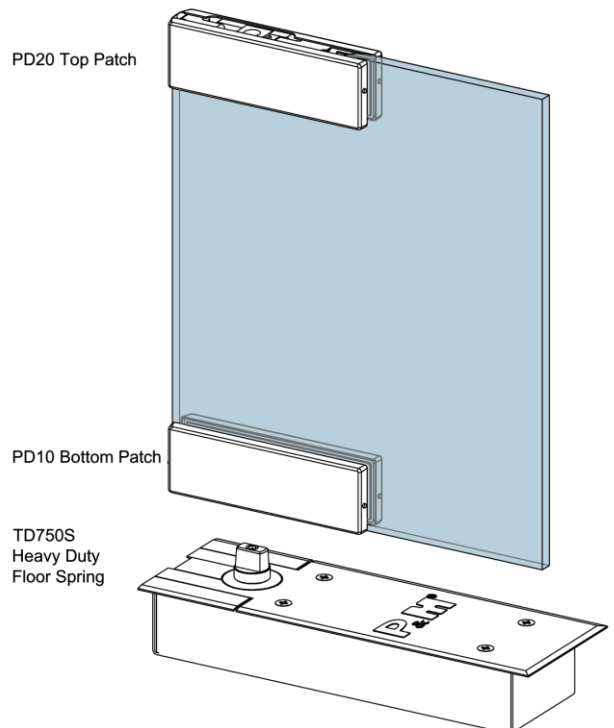
Dimensions and Accessories



Accessories
for Aluminium Framed and Wooden Doors

- 9116**
Retractable Top Pivot
c/w stainless steel plate
- 9117**
Adjustable Top Centre
- 9123L**
Door Strap
- 9119 Offset**
(Left Hand or Right Hand)
- Top Pivot Offset (LH)
- Top Centre Offset (LH)
- Bottom Strap (LH)

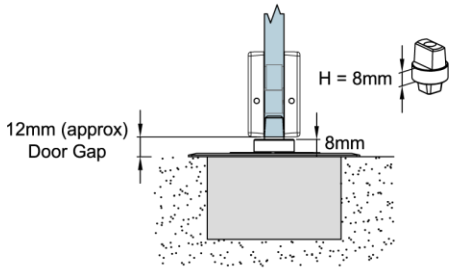
Frameless Tempered Glass Door Application



INTERCHANGEABLE SPINDLE

Extended Spindle Height in mm (H)	3	8	10.5	13	15.5	18	23	28	31	33	38	43	48	53
Extra Over Height in mm (Y)	0	5	7.5	10	12.5	15	20	25	28	30	35	40	45	50

* 8mm Extended Spindle Height (H) (+5 Spindle)

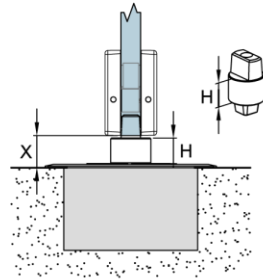


* Standard packing includes 8mm extended spindle height interchangeable spindle.

H = Extended Spindle Height

Y = Extra Over Height
Y = H - 3mm

X = Door Gap
X = Y + 7mm (approx)



Extended Spindle Height Illustration

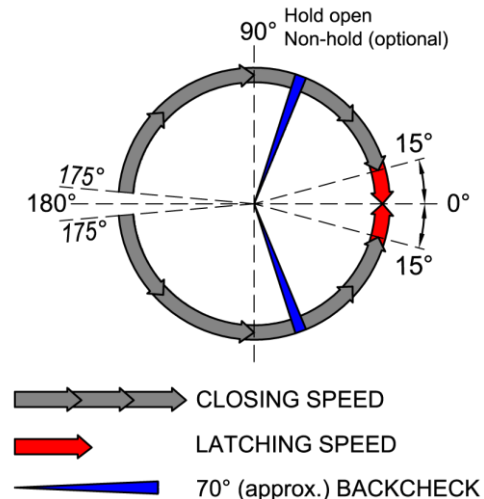
Technical Data TD750S

Spring power (EN)	1 to 4	
Spring power adjustment	●	
Interchangeable spindle	●	
Built-in pressure relief valve	●	
Built-in mechanical backcheck 70° (approx.)	●	
90° Hold open / Non-hold open	●	
Maximum weight (kg)	150	
Dimension in mm	Length	285
	Width	82
	Height	50
Product weight (kg) (approx.)	3.4	
Comply to EN1154	●	

● Yes

Door Control

Two independent adjustment valves provide fully hydraulic control from 175° - 15° of closing and hydraulic control 15°-0° of latching range.



Due to the company's policy of continuous product development and enhancement, the specifications and details contained in this brochure are subject to alteration without prior notice.

The dimensions, details, specifications and statements made herein or by our representatives arising out of any enquiries are given for information purposes only. They are not intended to have any legal effect and the company will not be bound thereby. The company will only accept obligations which are expressly negotiated for, and agreed and incorporated into written agreements made specifically with its respective customers.