



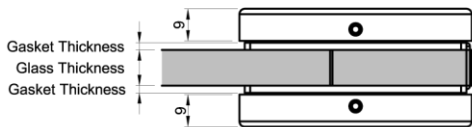
Latches & Locks

US623 Latch(new) & GK623 Strike

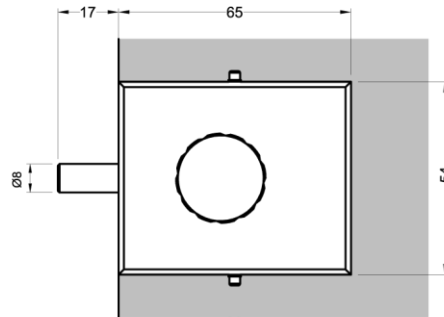
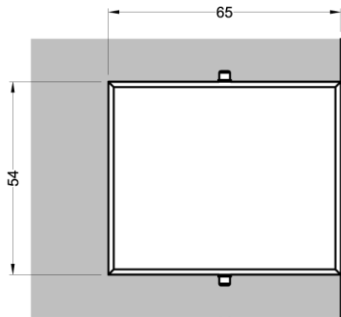
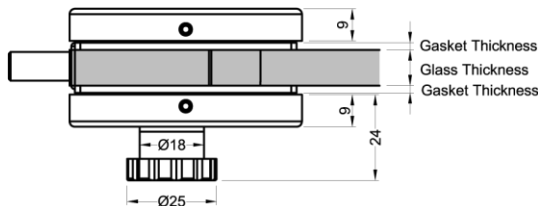
- Suitable for 8mm - 12mm glass panel
- Comes with keeper plate
- Finish : Polished Stainless Steel
Satin Stainless Steel



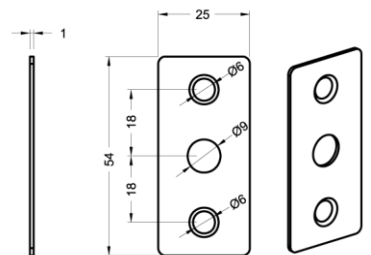
GK623 Strike



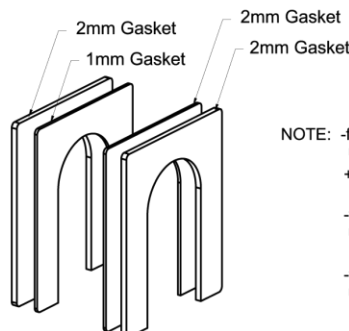
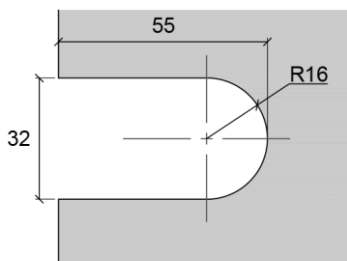
U623 Latch



Keeper Plate
fixed to wall



Glass Preparation



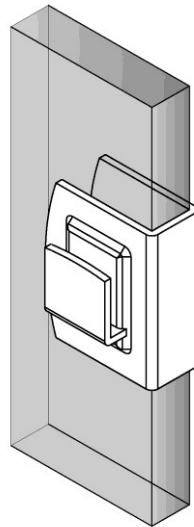
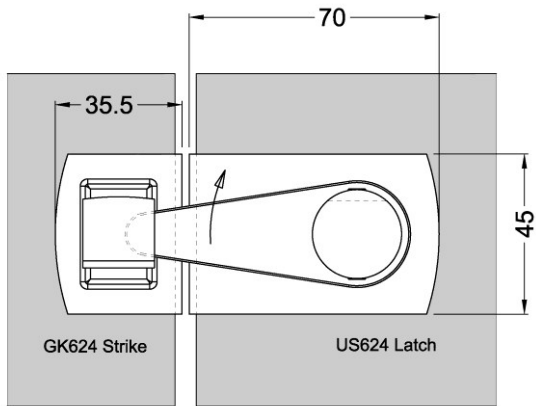
NOTE: -for 8mm Glass Thickness
Use 2pcs of 2mm gasket
+ 2pcs of 1mm gasket provided

-for 10mm Glass Thickness
Use 2pcs of 2mm gasket provided

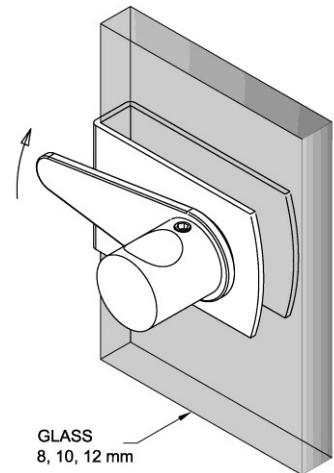
-for 12mm Glass Thickness
Use 2pcs of 1mm gasket provided

US624 Latch & GK624 Strike

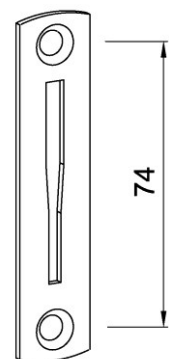
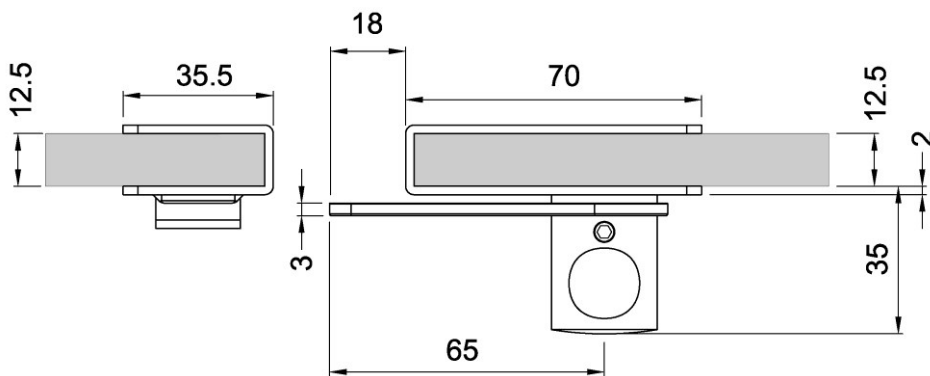
- Suitable for 8mm - 12mm glass panel
- No glass preparation required
- Latch & strike comes with emergency "unlock" feature
- Strike Option: Left Hand or Right Hand
- Finish :Polish Chrome Plated
Satin Chrome Plated



GK624 Strike



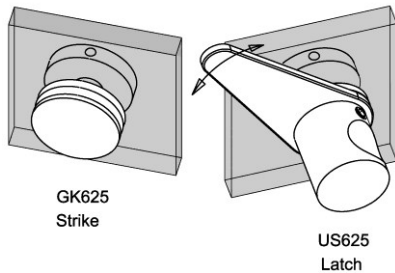
US624 Latch



KP624
(Fixed to Wall)

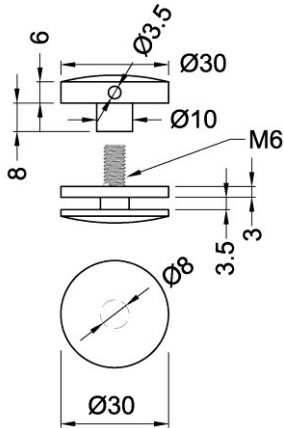
US625 Latch & GK625 Strike

- Suitable for 8mm - 12mm glass panel.
- Latch & strike comes with emergency "unlock" feature.
- Finish : Polish Chrome Plated
Satin Chrome Plated

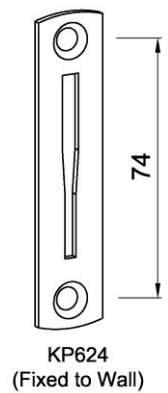
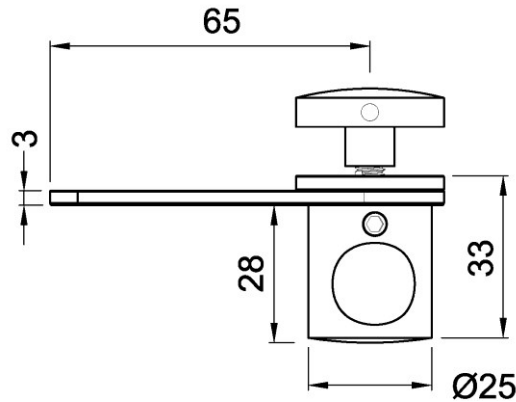


Keeper Plate fixed to wall

GK625 Strike

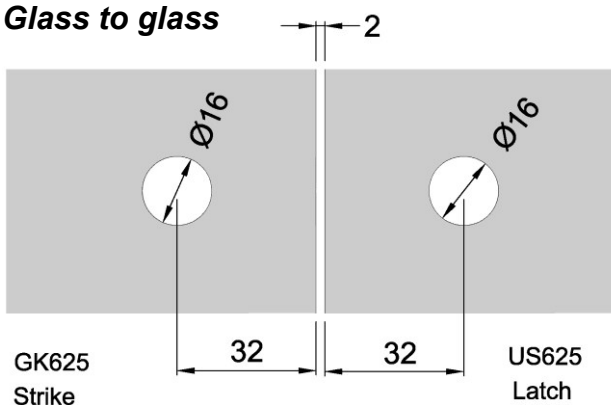


US625 Latch

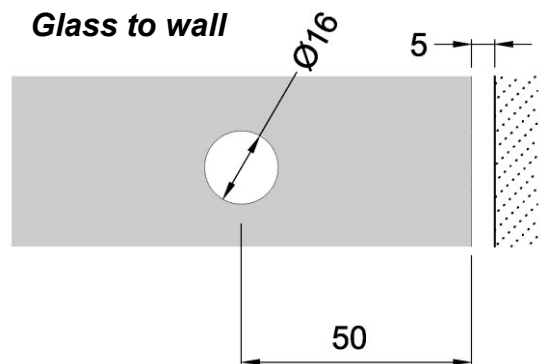


Glass Preparation:

Glass to glass



Glass to wall

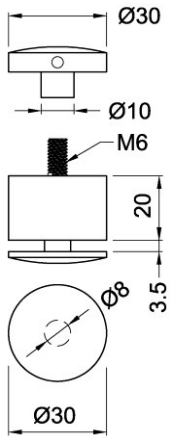


US626 Latch & GK626 Strike

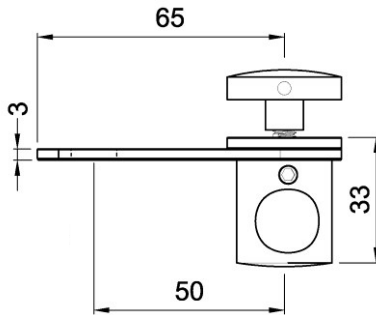
- Suitable for 8mm - 12mm glass panel.
- Latch & strike comes with emergency "unlock" feature.
- Latch Option: Left Hand or Right Hand
- Finish : Polish Chrome Plated
Satin Chrome Plated



GK626 Strike

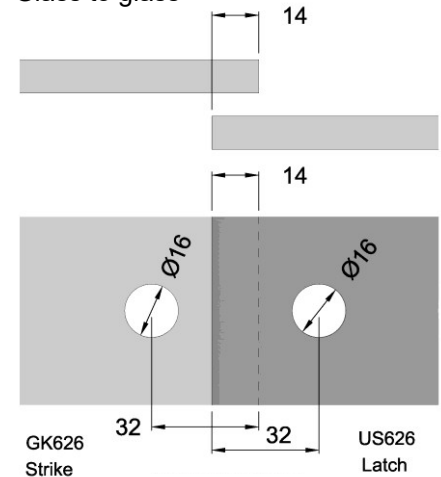


US626 Latch

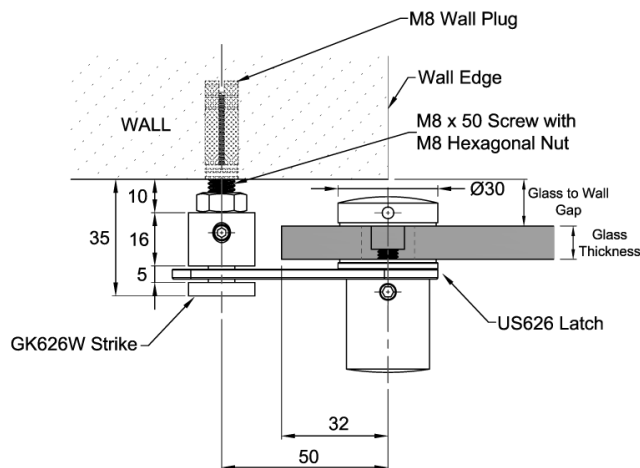


Glass Preparation:

Glass to glass

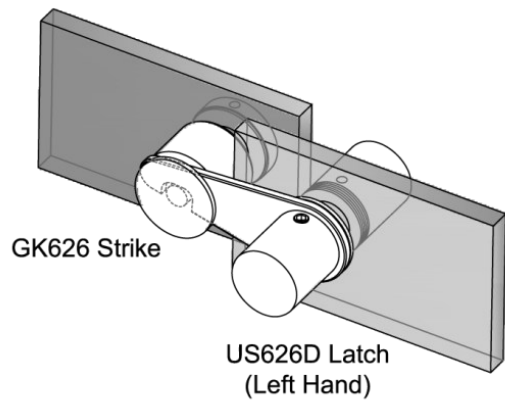
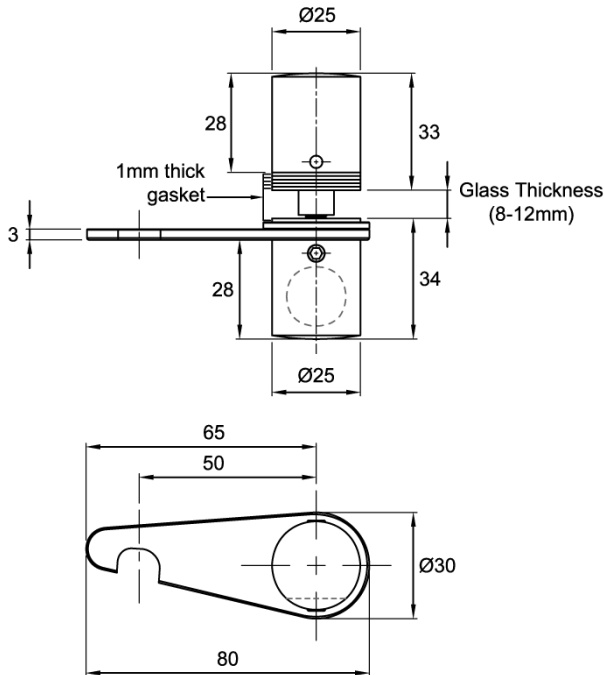


GK626W Wall Mounted Strike

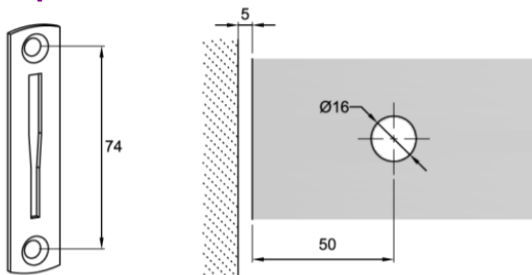


US626D Latch

- Suitable for 8mm - 12mm glass panel
- Latch Option: Left Hand or Right Hand
- Suitable with GK626 Latch
- Finish : Polish Chrome Plated
Satin Chrome Plated

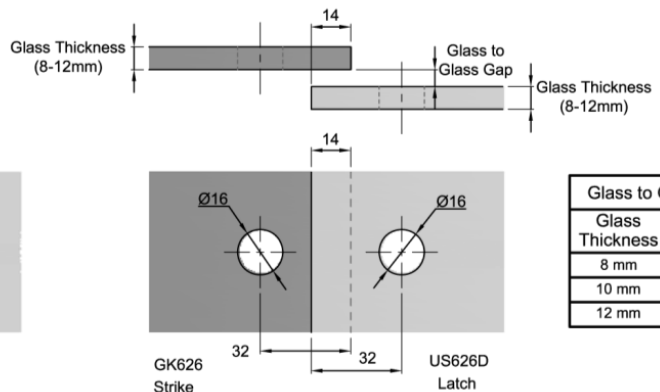


KP624 Keeper Plate



Glass Preparation (Glass to Wall)

US626D Latch Gasket	
Glass Thickness	1mm thick Gasket
8 mm	6 nos
10 mm	4 nos
12 mm	2 nos

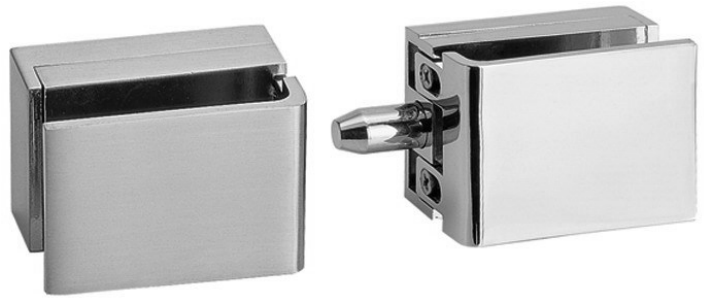


Glass Preparation (Glass to Glass)

Glass to Glass Gap	
Glass Thickness	GAP
8 mm	10 mm
10 mm	8 mm
12 mm	6 mm

US627 Latch & GK627 Strike

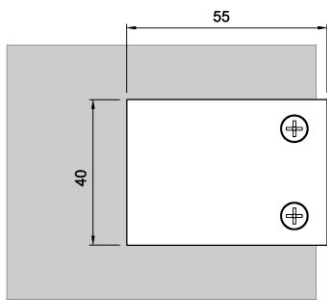
- Thumb turn latch
- Suitable for 8mm - 12mm glass panel
- No glass preparation required
- Finish : Polish Chrome Plated
Satin Chrome Plated



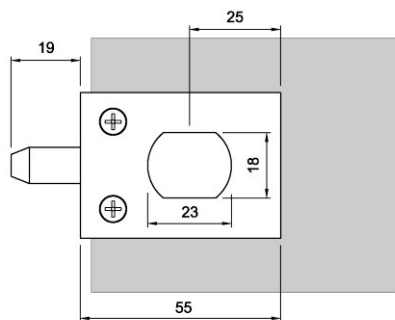
GK627 Strike

glass to glass

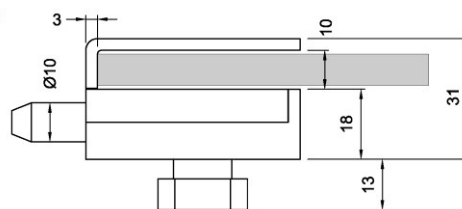
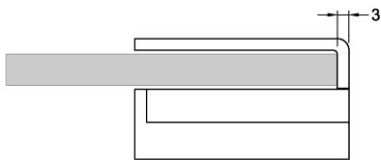
US627 Latch



GK627 Strike



US627 Latch

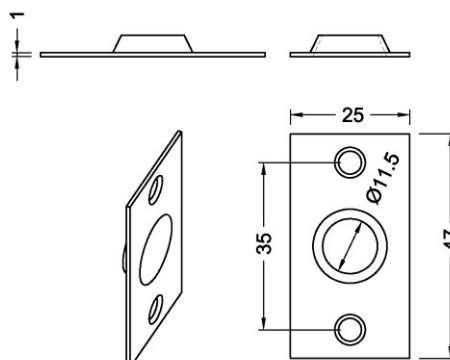
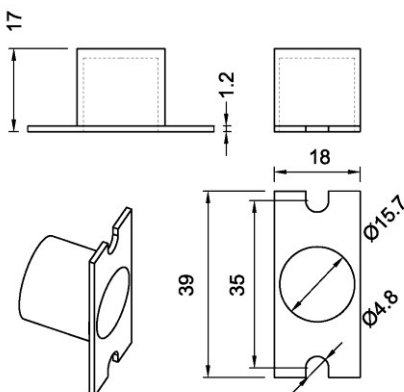


Keeper Cap

fixed to wall

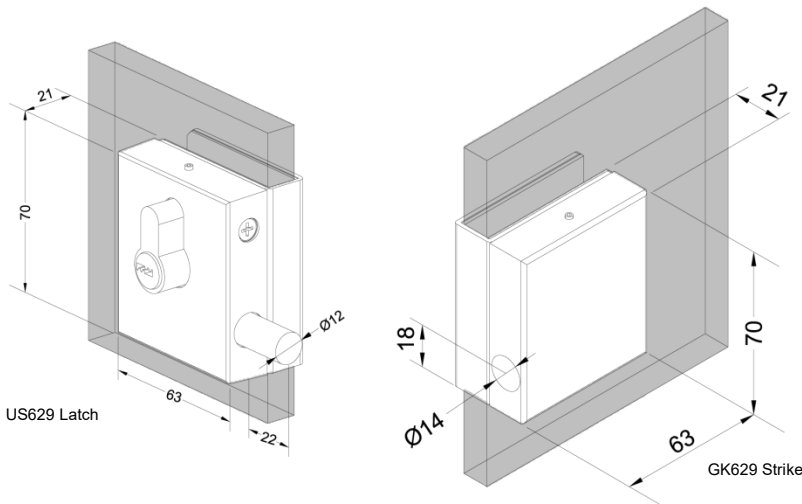
Keeper Plate

fixed to wall



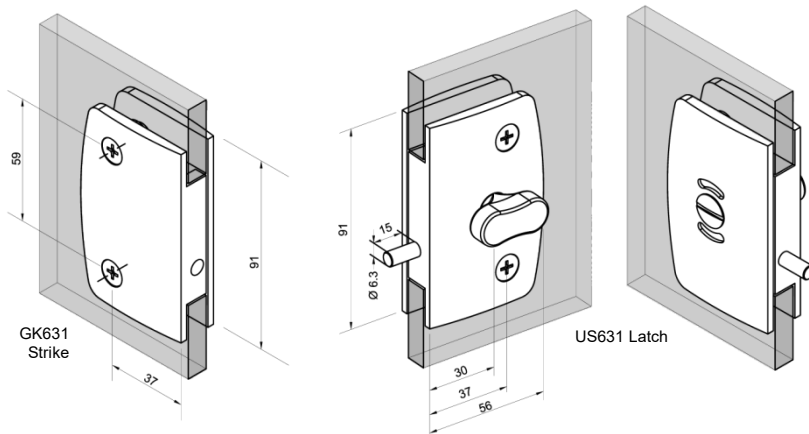
US629 Latch & GK629 Strike

- Latch with key cylinder
- Suitable for 8mm - 12mm glass panel
- No glass preparation required
- Material: Stainless Steel
- Finish : Polished Stainless Steel
Satin Stainless Steel

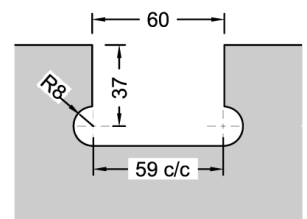


US631 Latch & GK631 Strike

- Thumb turn latch with indicator on opposite side
- Suitable for 8mm - 12mm glass panel
- Finish : Polish Chrome Plated
Satin Chrome Plated



Glass Preparation



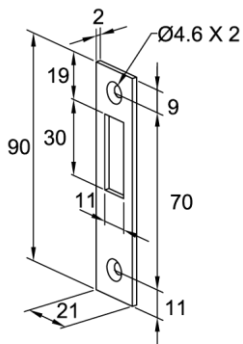
SL53 Lock

SGK53 Strike Box

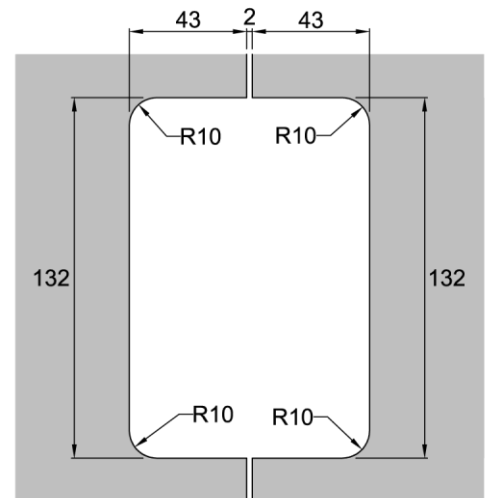
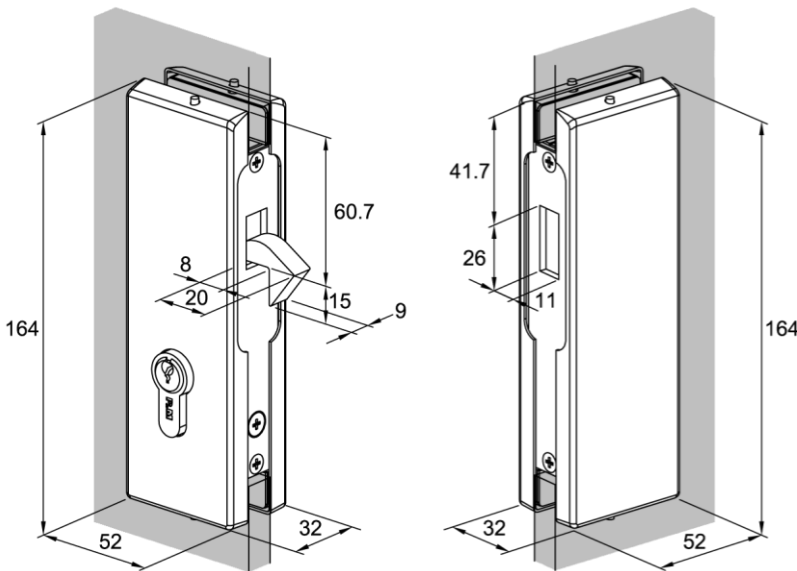
- Sliding door lock with Euro-profile key cylinder
- Suitable for 8mm -12mm glass panel
- Finish : Polish Stainless Steel
Satin Stainless Steel



KP53 Keeper Plate



Glass Preparation

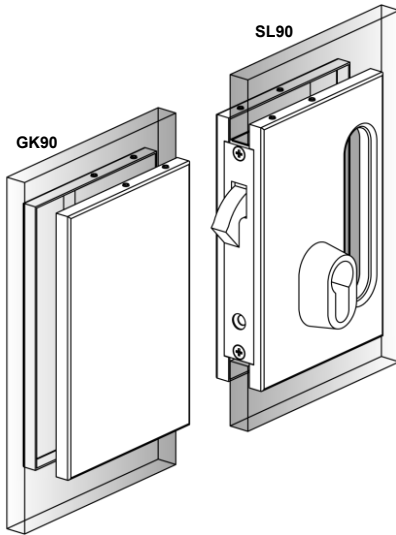


SL53 Lock &
SL53e Lock

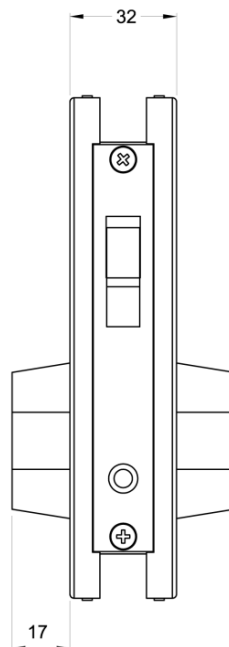
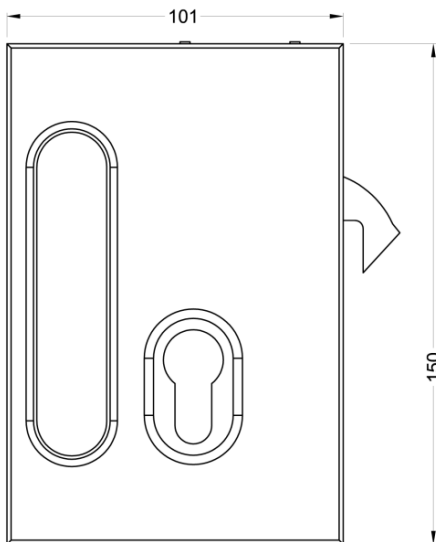
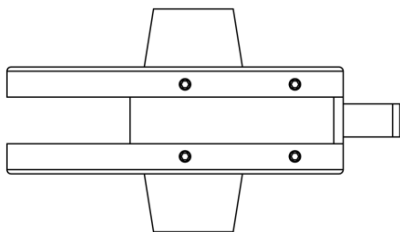
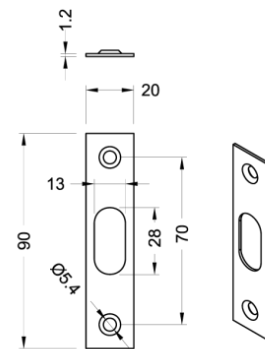
SGK53 Strike Box

SL90 Sliding Door Lock

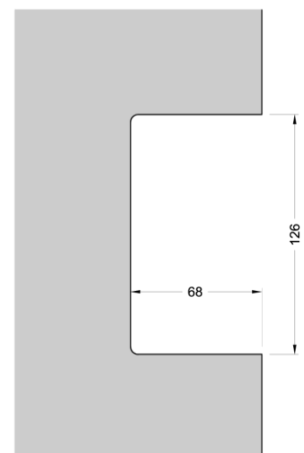
- Suitable for 8mm - 12mm glass panel.
- Lock comes with PM88 Euro Profile Cylinder
- Comes with keeper plate
- Satin Stainless Steel Finish



Keeper Plate *fixed to wall*

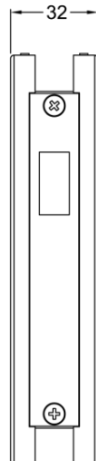
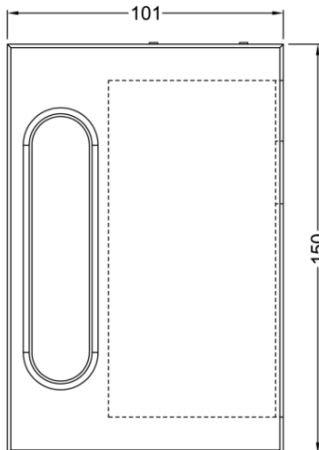
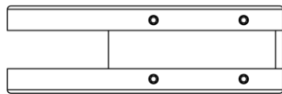
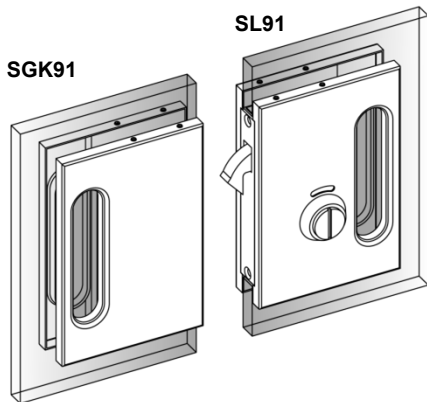


Glass Preparation

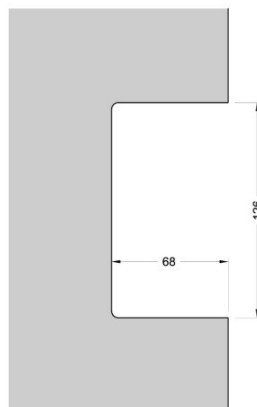


SGK91 Strike Box with Handle

- For sliding door
- Suitable for 8mm - 12mm glass panel
- Strike box to suit SL90 or SL91 Lock (left hand and right hand)
- Satin Stainless Steel Finish

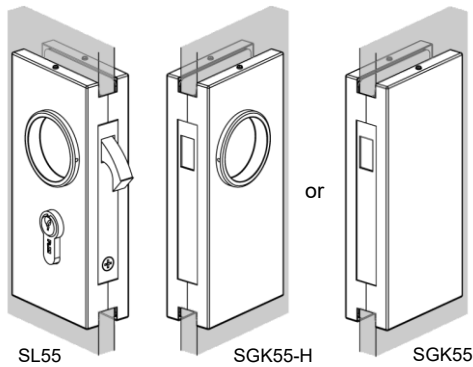


Glass Preparation

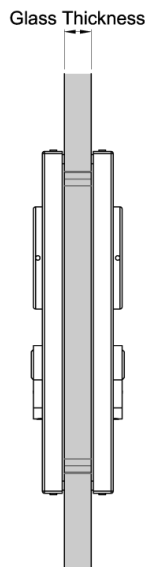
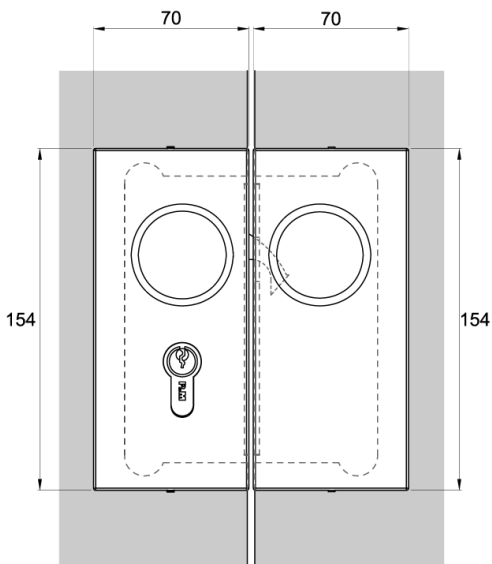
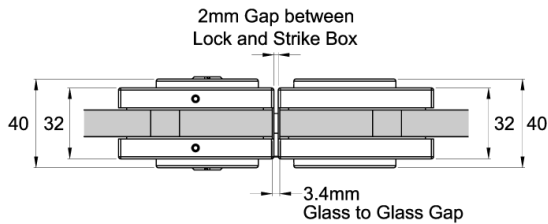
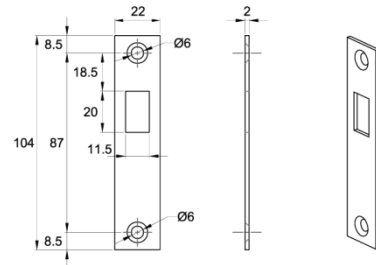


SL55 Sliding Door Lock & SGK55-H Strike

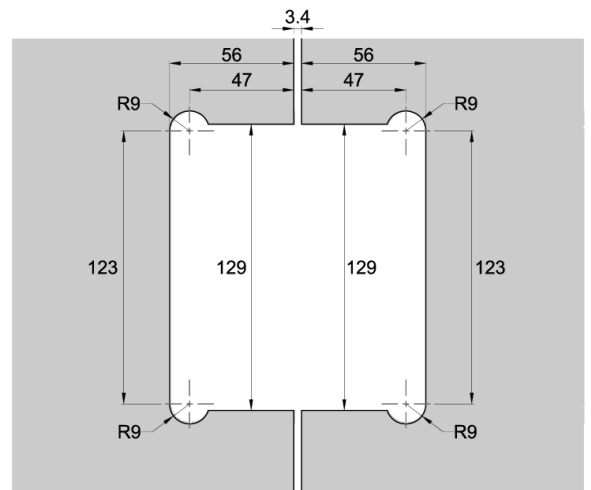
- Sliding Door Lock and Strike with round recess handle
- Strike Option : SGK55 Strike or SGK55-H Strike with round recess handle
- Polished Stainless Steel Finish
- Suitable for 8mm, 10mm or 12mm glass panel



Keeper Plate



Glass Preparation

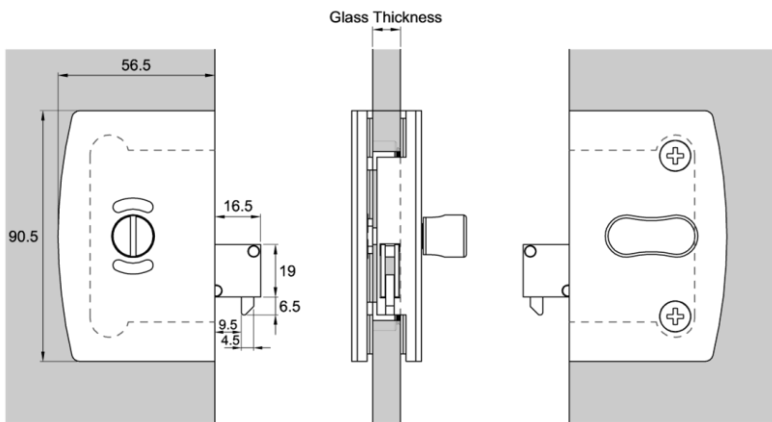
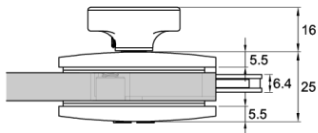


SL81 Sliding Door Lock & SGK81 Strike

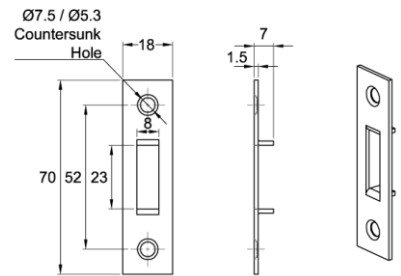
- Sliding door lock with indicator
- Polished chrome finish
- Suitable for 8, 10 or 12mm thick glass panel



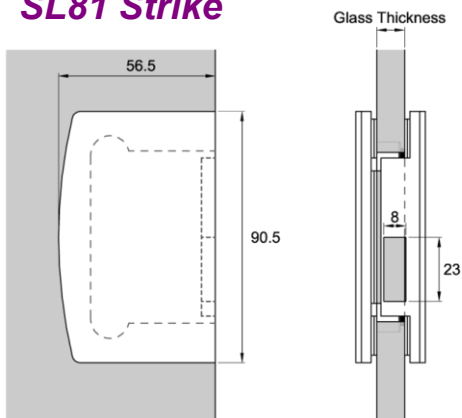
SL81 Sliding Door Lock



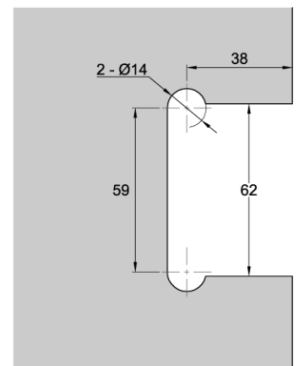
KP81 Strike Plate



SL81 Strike

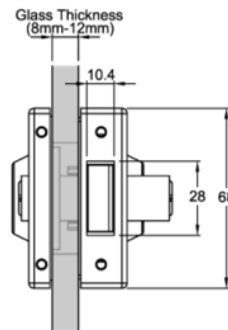
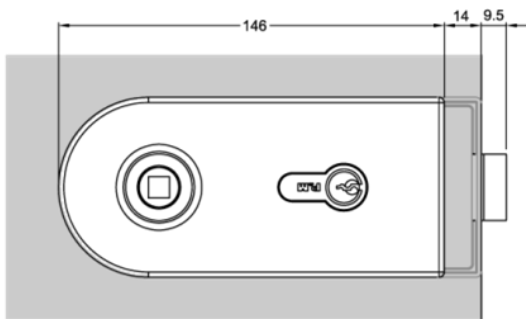
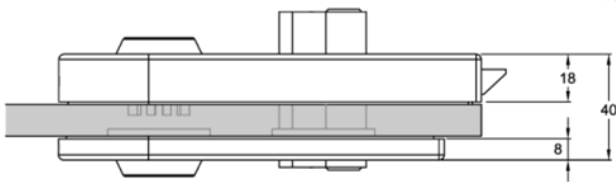


Glass Preparation



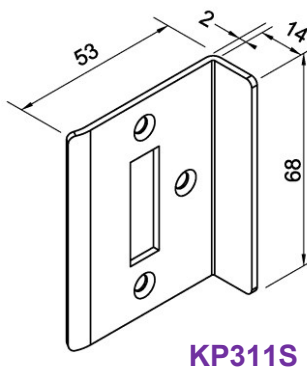
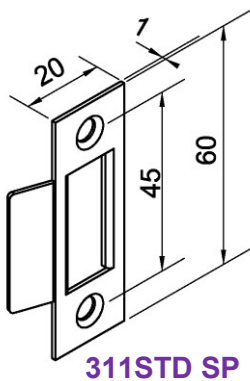
CL311S Central Lock

- Single action
- Lock complete with PM88 Euro-profile key cylinder
- Suitable for 10mm or 12mm glass panel
- Lever handle options of LH01 or LH02
- Finish : Satin Stainless Steel

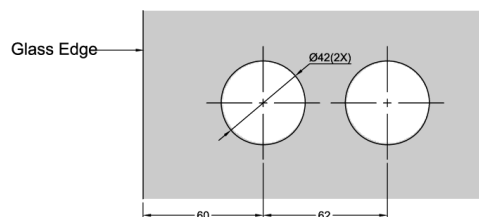


Strike Plate

fixed to wall



Glass Preparation



GK 77-S and GK311S Strike Box

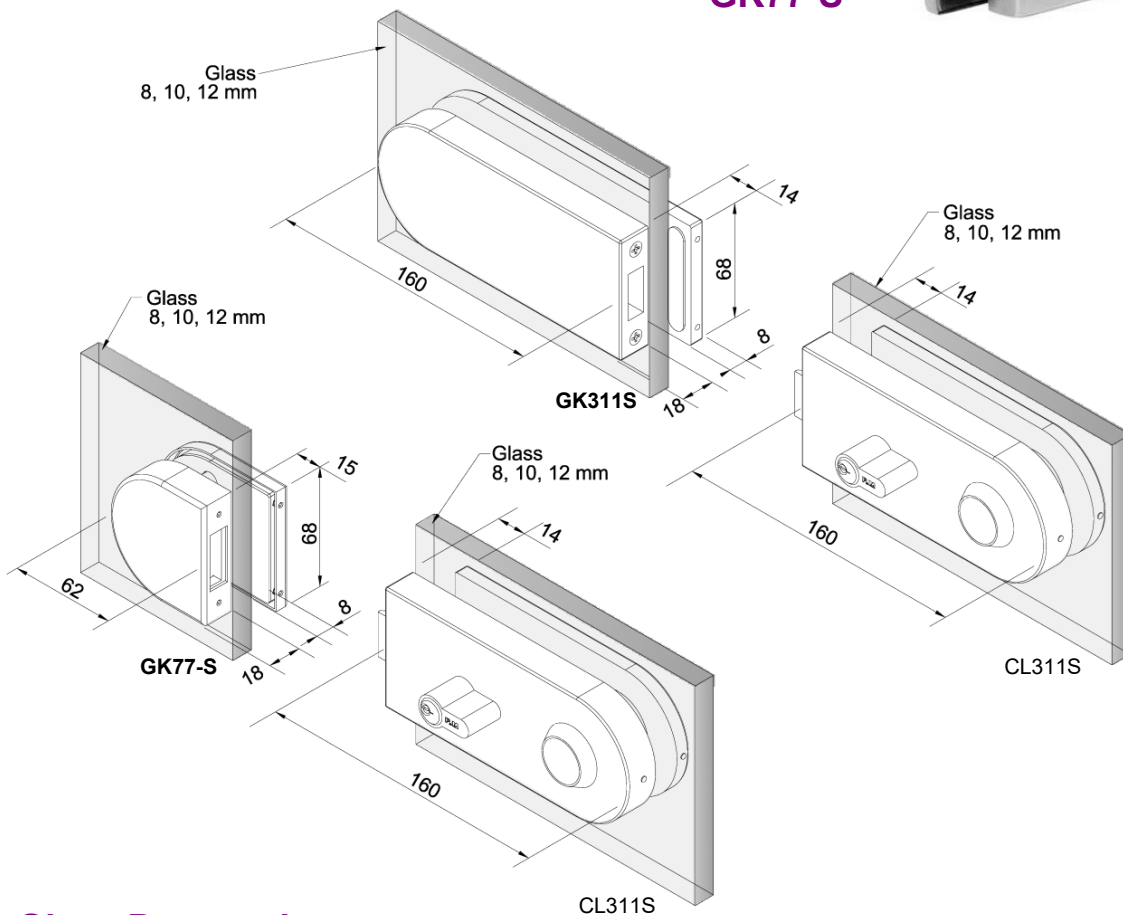
- Strike box suitable for CL311S Central Lock
GK77-S : 62mm / GK311S: 160mm
- Suitable for 8mm - 12mm glass panel
- Finish : Satin Stainless Steel



GK77-S

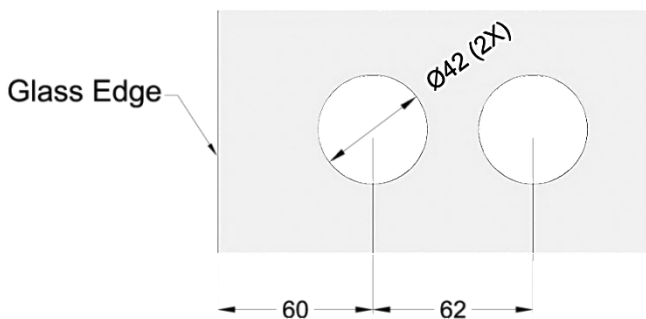


GK311S

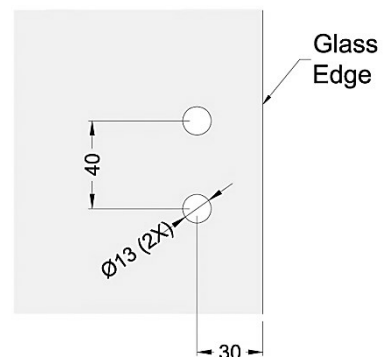


Glass Preparation

GK311S

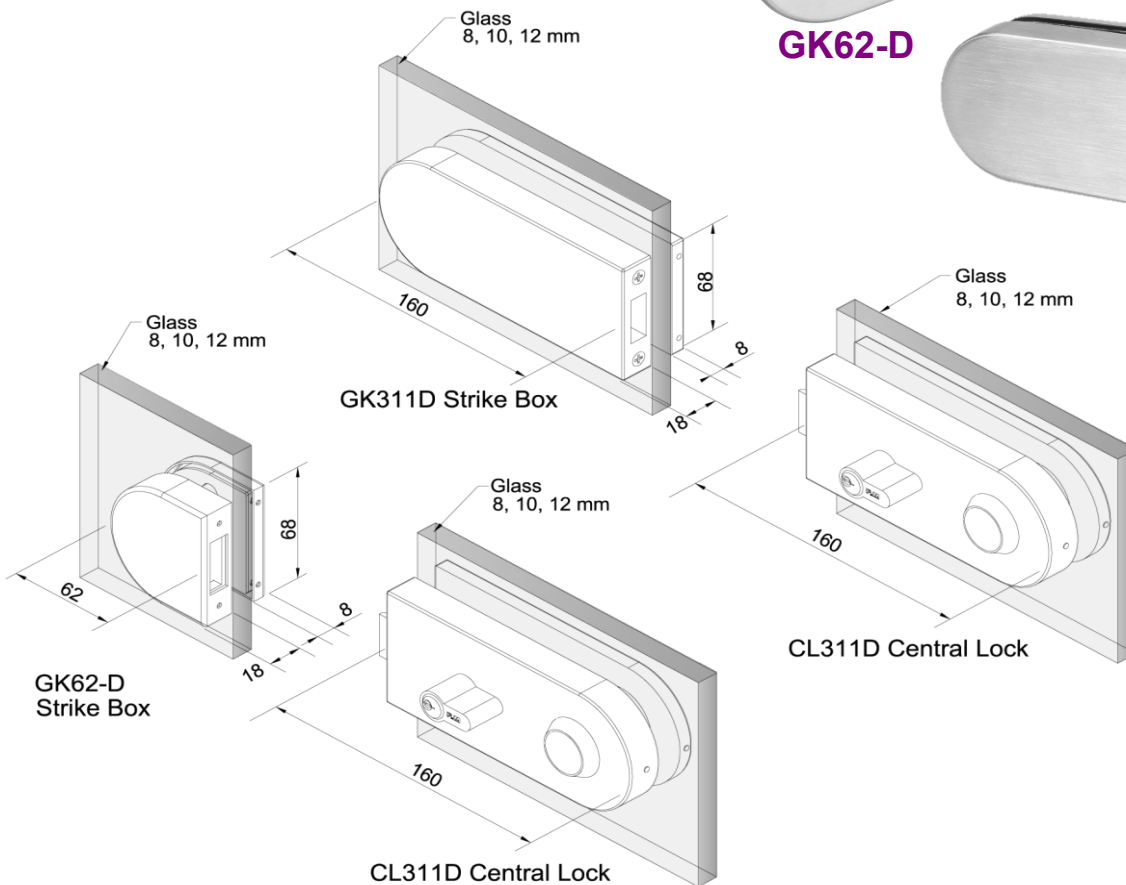


GK77-S



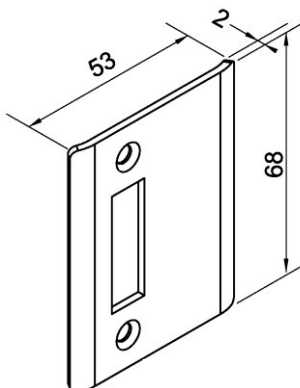
CL311D Central Lock GK311D or GK62-D Strike Box

- Double action lock
- Strike Box Option :
GK311D: 160mm / GK62-D: 62mm
- Suitable for 8mm - 12mm glass panel
- Lever handle options: LH01 or LH02 handle.
- Finish : Satin Stainless Steel



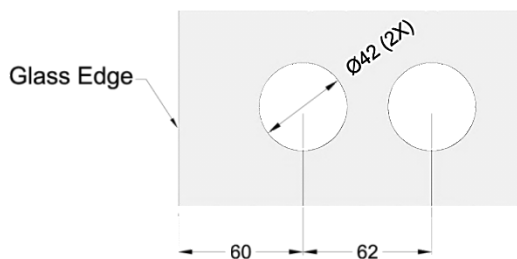
Strike Plate

fixed to wall

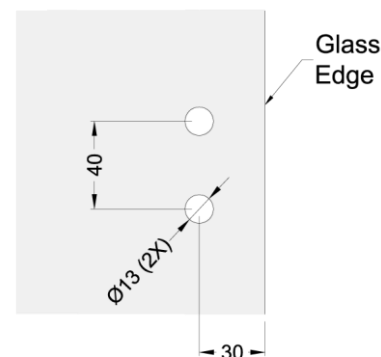


Glass Preparation

CL311D / GK311D

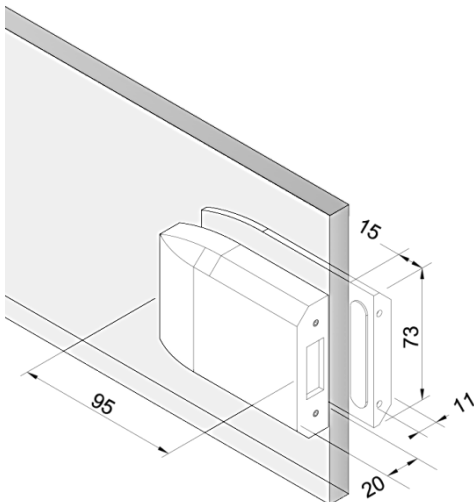


GK 62-D

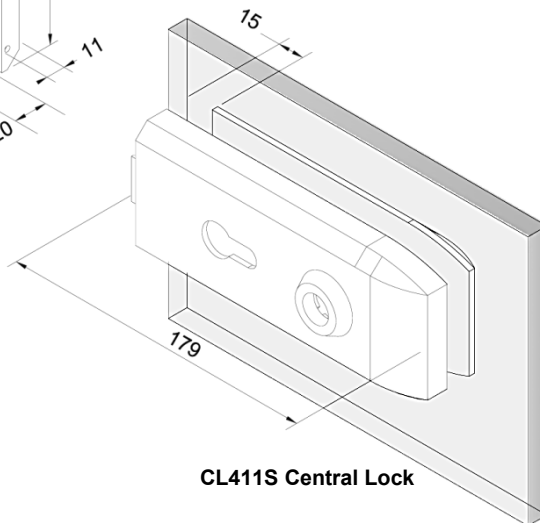


CL411S Central Lock GK411S Strike Box

- Single action
- Suitable for 8mm - 12mm glass panels.
- Comes with lever handle;
Option of LH01 or LH02 handle
- PM88 Euro-profile key cylinder
- Finish : Satin Stainless Steel

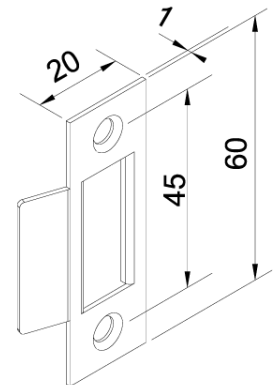


GK411S Strike Box



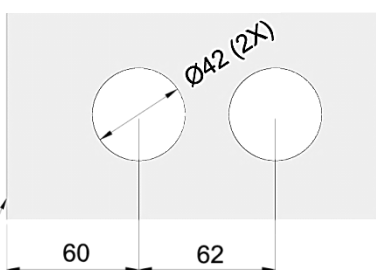
CL411S Central Lock

311STD SP Strike Plate

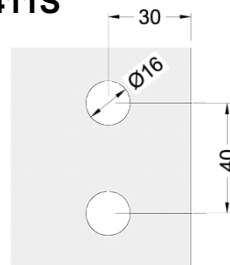


Glass Preparation

CL411S



GK411S



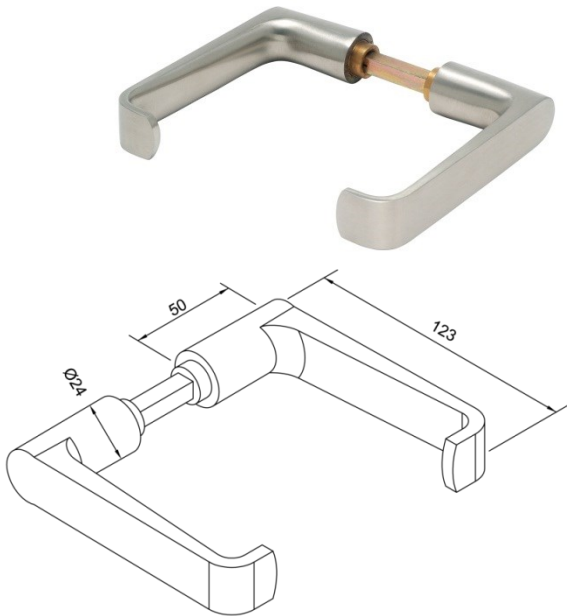
Glass Edge

Lever Handles

To suits CL311 / CL411 Central Lock

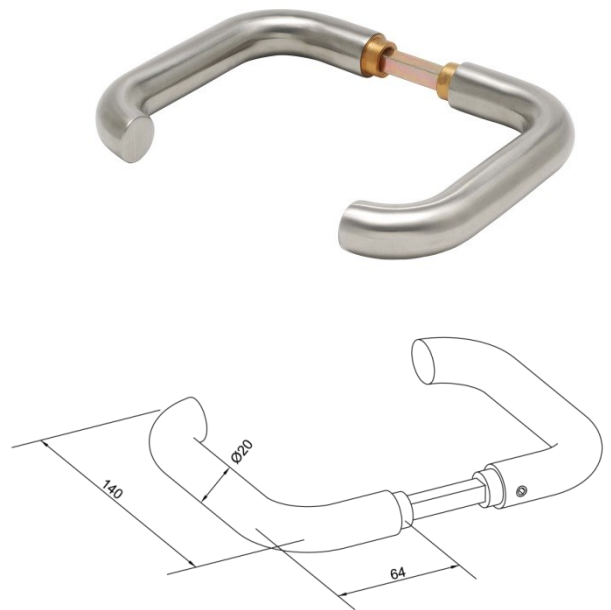
LH01

Satin Stainless Steel Finish



LH02

Satin Stainless Steel Finish

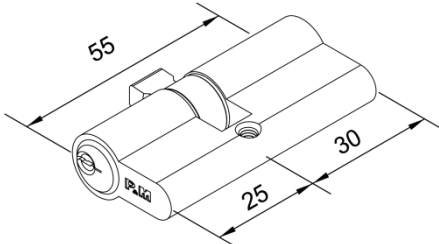


PM88 Euro-Profile Key Cylinder

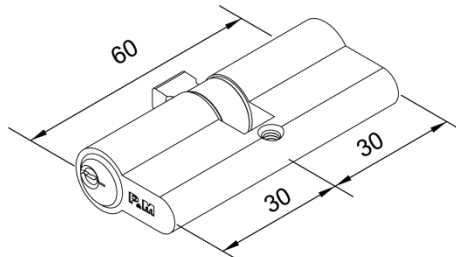
- 55mm length :to suit CL311 and CL411 Central Lock
- Standard 60mm length : to suit ME633 Mortise lock and SL90 Sliding Door Lock
- Polish/Satin Chrome finishes



PM88(55)

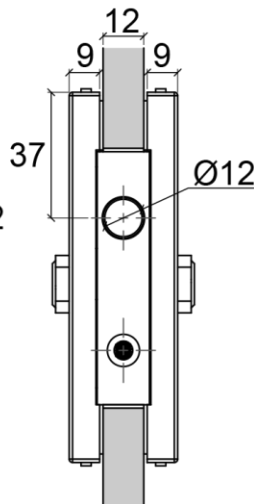
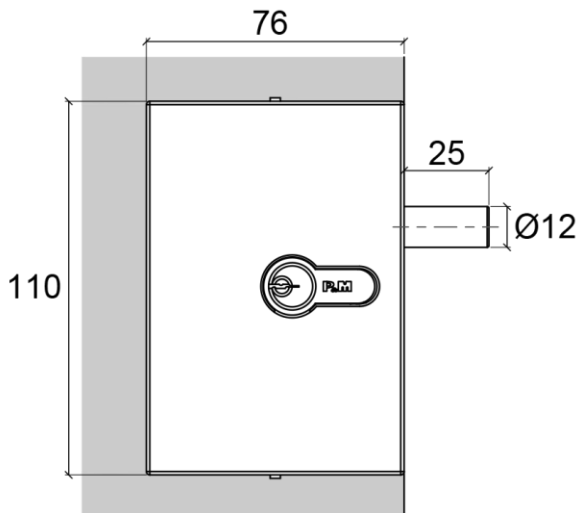
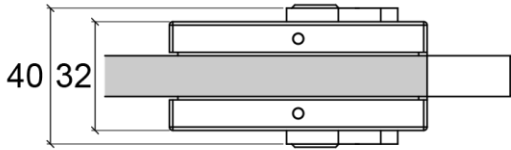


PM88

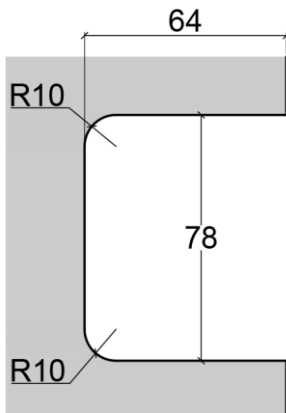


PL55 Lock

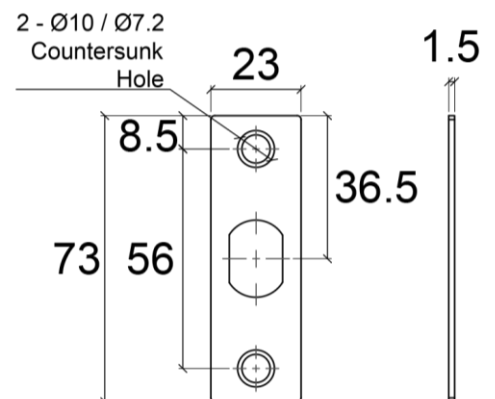
- Central or Bottom Lock
- Bottom Sliding Lock
- With PM88 Euro-Profile cylinder
- Suitable for 8mm - 12mm thick glass panel
- Finish : Polish Stainless Steel
Satin Stainless Steel



Glass Preparation

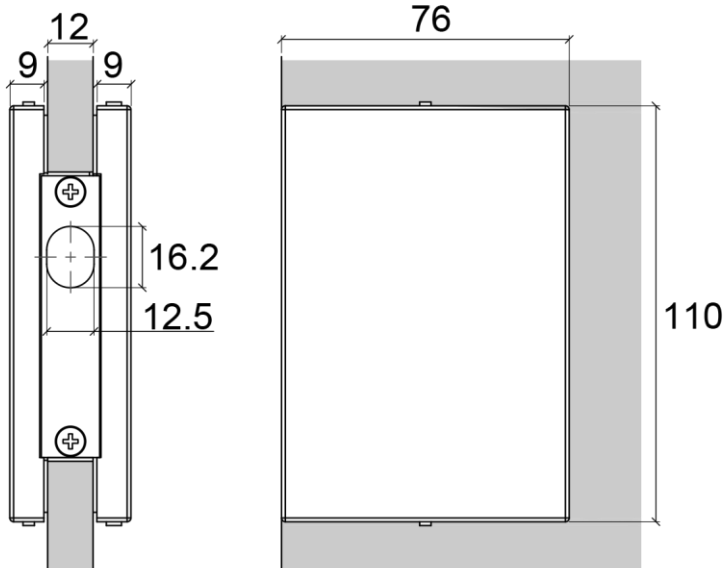
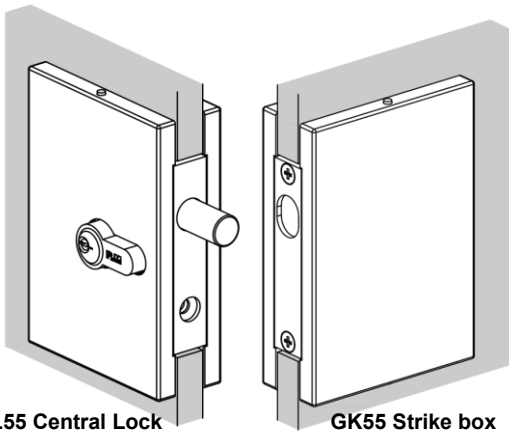


KP55 Strike Plate

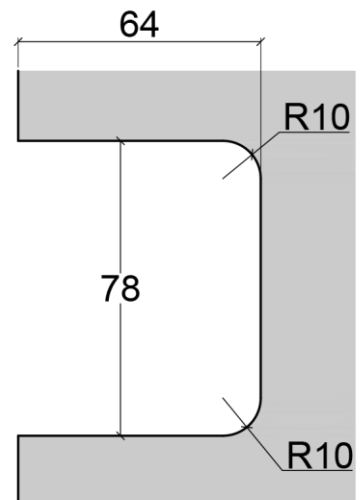


GK55 Strike Box

- Strike for PL55 lock
- Suitable for 8mm - 12mm thick glass panel
- Finish : Polish Stainless Steel
Satin Stainless Steel

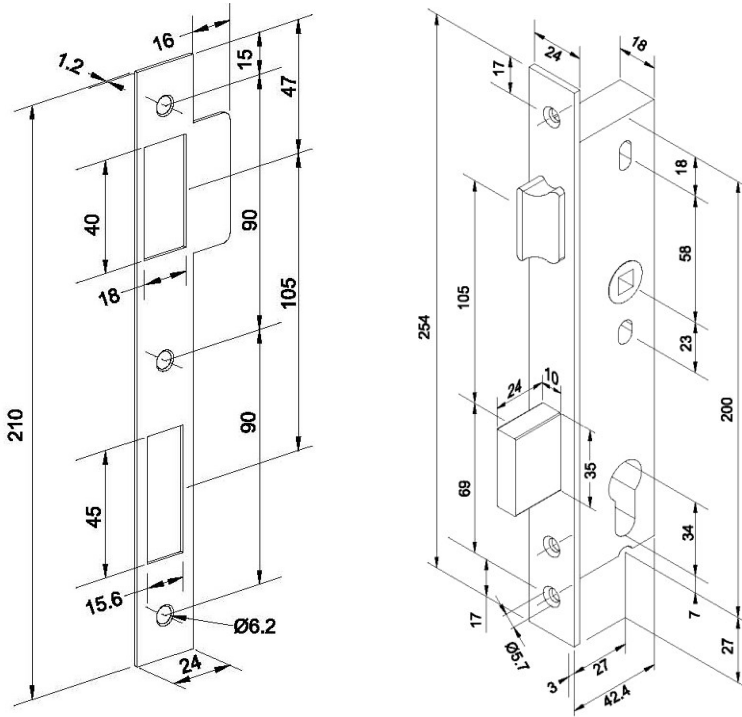


Glass Preparation



ME633

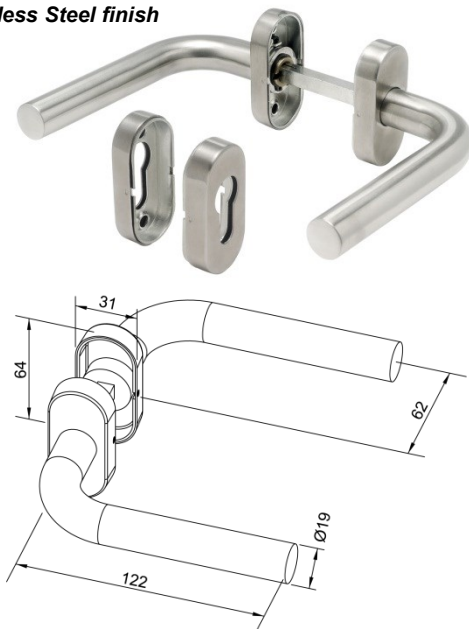
Mortise Lock



Lever Handle for ME633 Mortise Lock

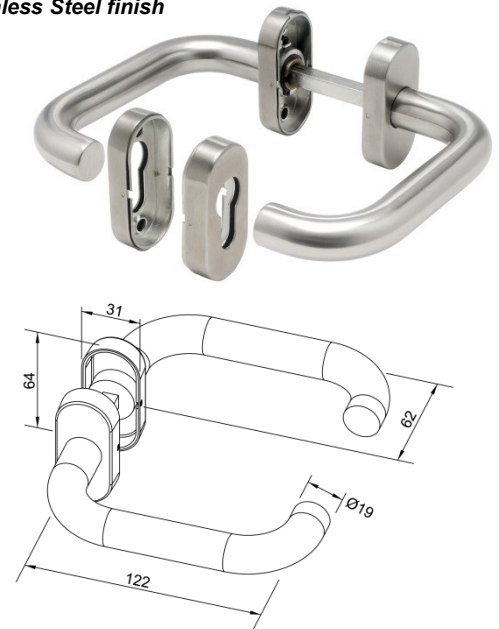
LH11

Satin Stainless Steel finish



LH12

Satin Stainless Steel finish





- Applications
 - Various options to suit swing or sliding glass door
- Finishes: Polished / Satin Chrome
Polished / Satin Stainless Steel
- High quality material : Brass / Stainless Steel

Due to the company's policy of continuous product development and enhancement, the specifications and details contained in this brochure are subject to alteration without prior notice.

The dimensions, details, specifications and statements made herein or by our representatives arising out of any enquiries are given for information purposes only. They are not intended to have any legal effect and the company will not be bound thereby. The company will only accept obligations which are expressly negotiated for, and agreed and incorporated into written agreements made specifically with its respective customers.

RELATED PRODUCTS



Shower Hinges - Odell Series



Sliding Door Gear – Tierra Series