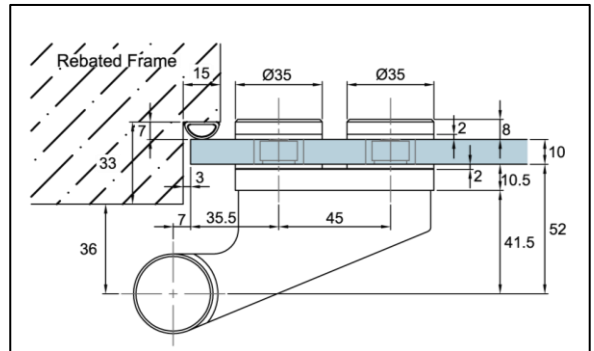
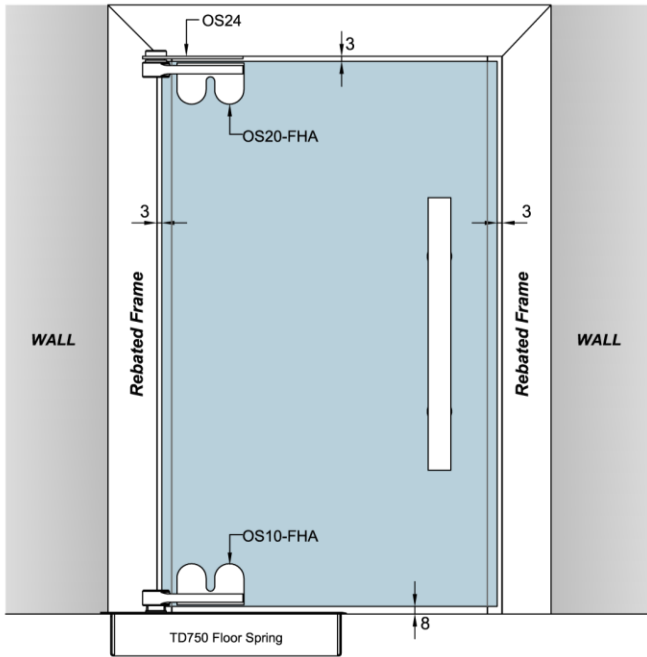
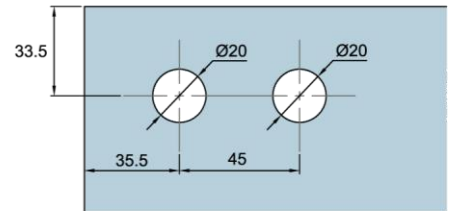
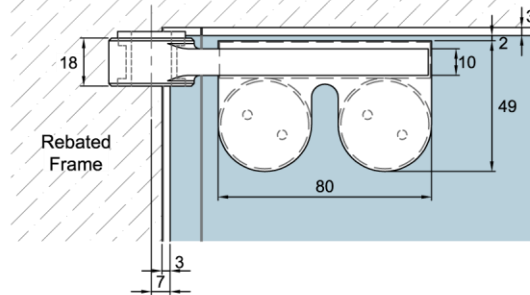


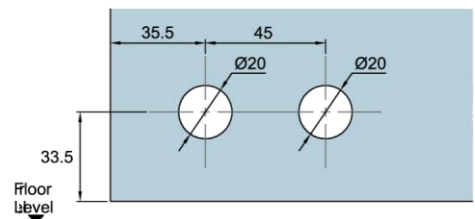
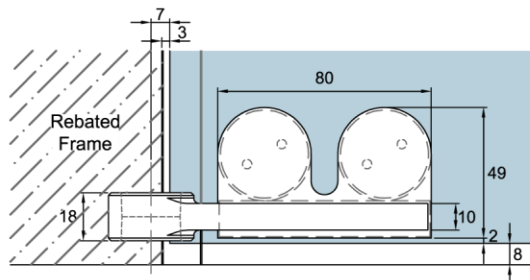
Rebated Frame Application:



OS20-FHA Top offset pivot

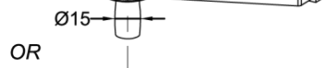


OS10-FHA Bottom offset pivot



P&M[®] DOS Offset Pivot Fittings for Single Action Door

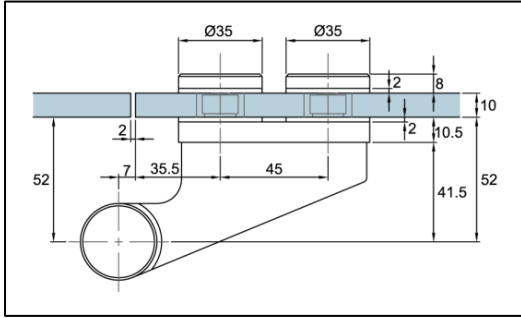
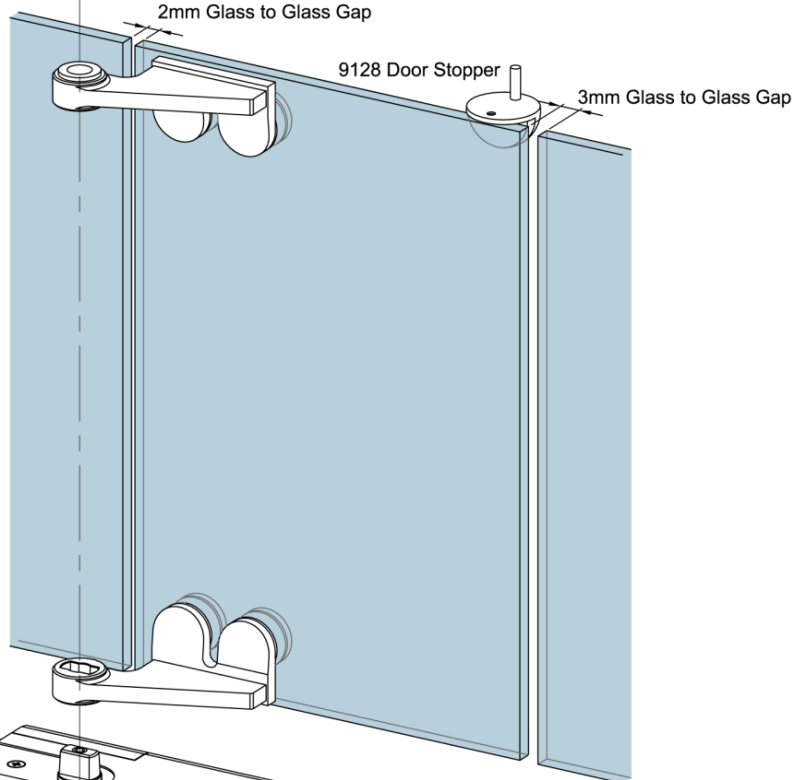
OS30-FHA Offset Pivot Overpanel



OS24 Top Offset Pivot

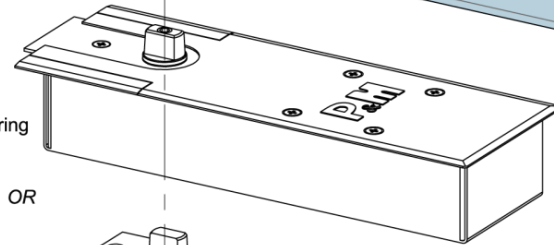


OS20-FHA Top Offset Pivot



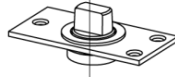
OS10-FHA Bottom Offset Pivot

TD750 Floor Spring



OR

PD15 Floor Pivot



Preference
Preference Pte Ltd

No.2 Kallang Pudding Road #01-02 Mactech Building Singapore 349307

Tel: (65) 6746 5185 Fax: (65) 6746 8749 Email: enquiry@preference.com.sg Website: www.preference.com.sg