

**P&M**<sup>®</sup>



**PS860**

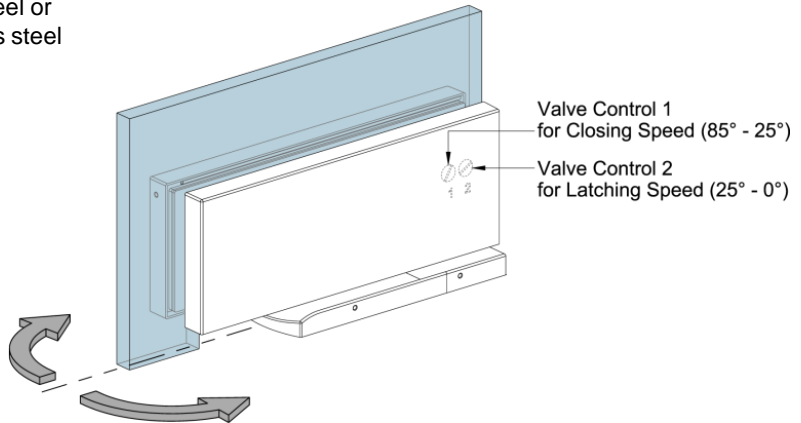
*Hydraulic Patch Spring*

- Maximum weight: 80kg
- Double action closer
- Spring power up to 22N
- Adjustable closing and latching speed
- SUS304 Stainless steel mounting base for wet conditions
- Blend in with Merlin universal patch fittings

**PS860**

*Hydraulic Patch Spring*

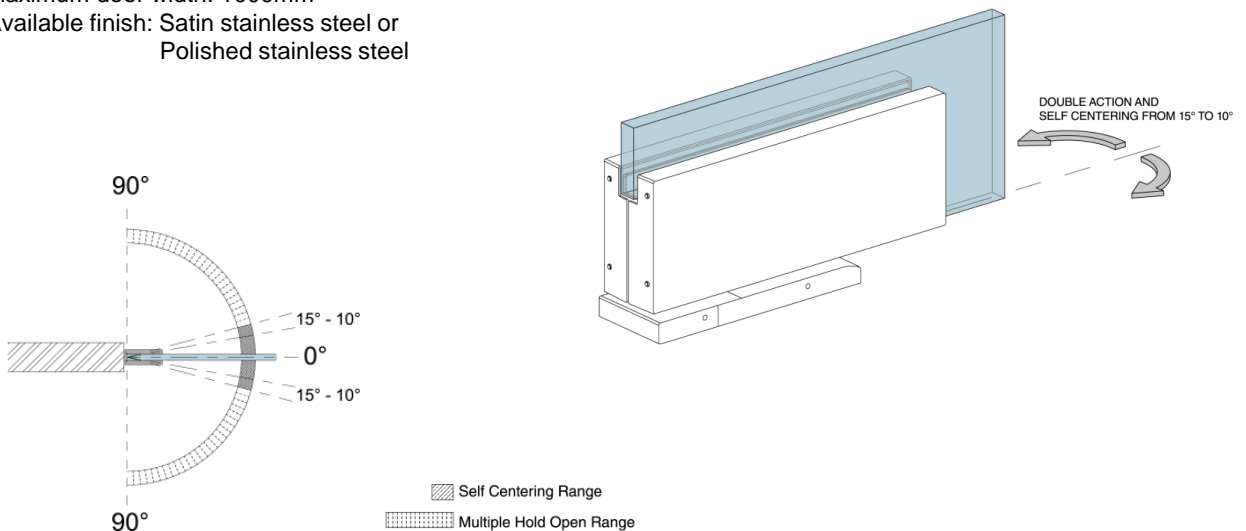
- 90° Hold open
- Non-hold open (Optional)
- Glass thickness up to 13.52mm
- Available spring power size: 1(13N), 2 (18N) or 3(22N)
- Maximum door height: 2700mm
- Maximum door width: 1000mm
- Adjustable closing speed and latching speed
- Available finish: Satin stainless steel or Polished stainless steel

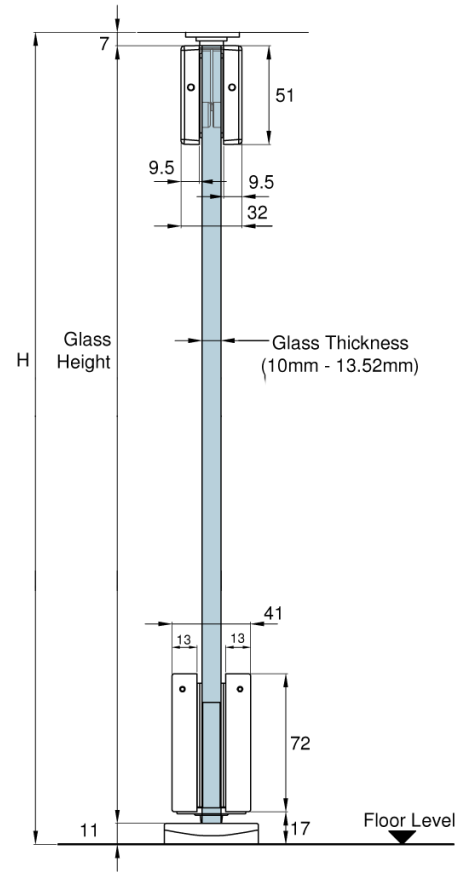
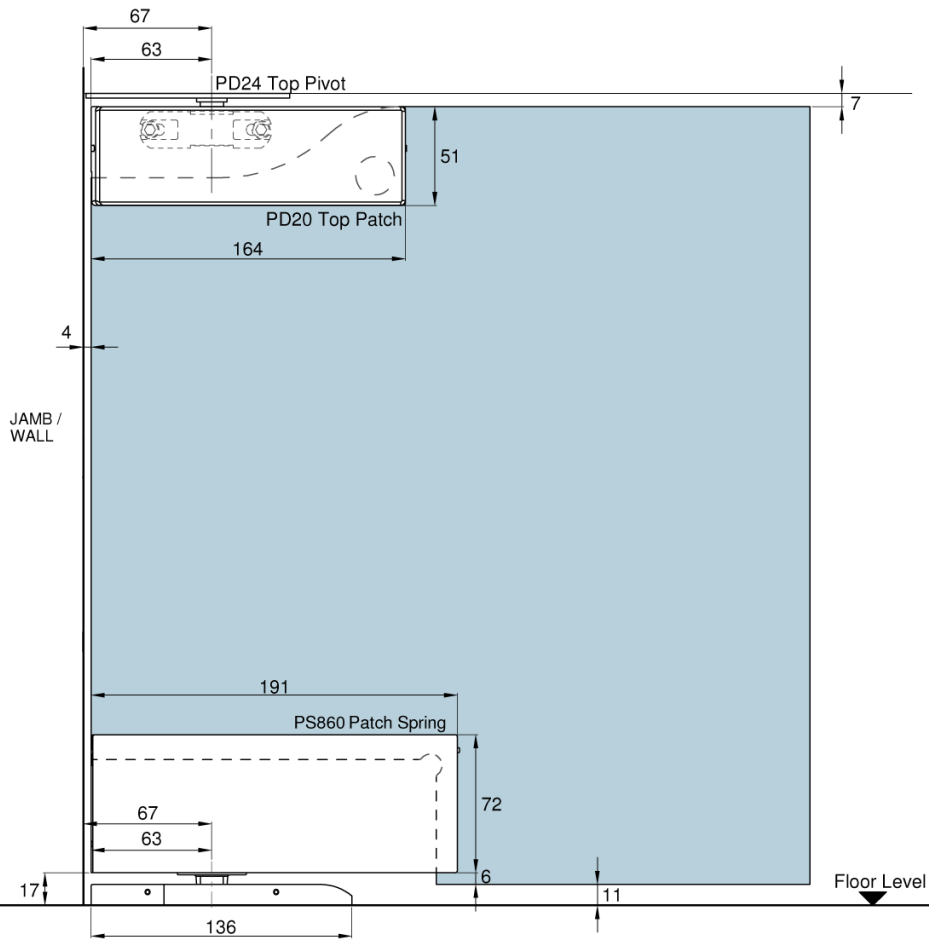


**PS860-SC**

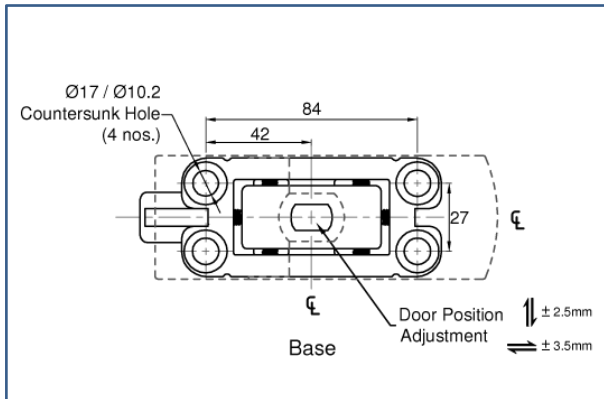
*Self Centering Floor Hinge*

- Floor mounted
- Self Centering from 15°-10°
- Glass thickness up to 13.52mm
- Maximum door height: 2700mm
- Maximum door width: 1000mm
- Available finish: Satin stainless steel or Polished stainless steel

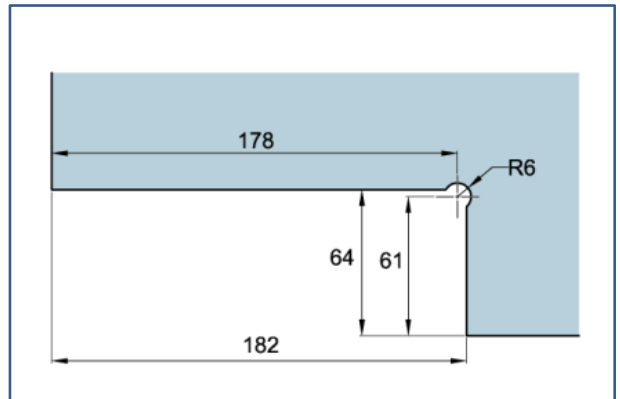




**Mounting Base**



**PS860 Glass Notch**



Technical Data	PS860 Hydraulic			PS860-SC
Closer Size	1	2	3	-
Closing Force	13N	18N	22N	-
90° Hold Open	•	•	•	•
Double Action	•	•	•	•
Self Centering	•	•	•	15°-10°
Closing Range (85°-15°)	•	•	•	-
Latching Range (25°-0°)	•	•	•	-
Glass Thickness	10-13.52mm	10-13.52mm	10-13.52mm	10-13.52mm
Maximum Door Weight (kg)	80	80	80	80
Maximum Door Width (mm)	1000	1000	1000	1000
Maximum Door Height (mm)	2700	2700	2700	2700

*Due to the company's policy of continuous product development and enhancement, the specifications and details contained in this brochure are subject to alteration without prior notice.*

*The dimensions, details, specifications and statements made herein or by our representatives arising out of any enquiries are given for information purposes only. They are not intended to have any legal effect and the company will not be bound thereby. The company will only accept obligations which are expressly negotiated for, and agreed and incorporated into written agreements made specifically with its respective customers.*



## Preference Pte Ltd

No.2 Kallang Pudding Road #01-02 Mactech Building Singapore 349307

Tel: (65) 6746 5185 Fax: (65) 6746 8749 Email: [enquiry@preference.com.sg](mailto:enquiry@preference.com.sg) Website: [www.preference.com.sg](http://www.preference.com.sg)