

PS750

Heavy Duty Hydraulic Patch Spring

173 mm L



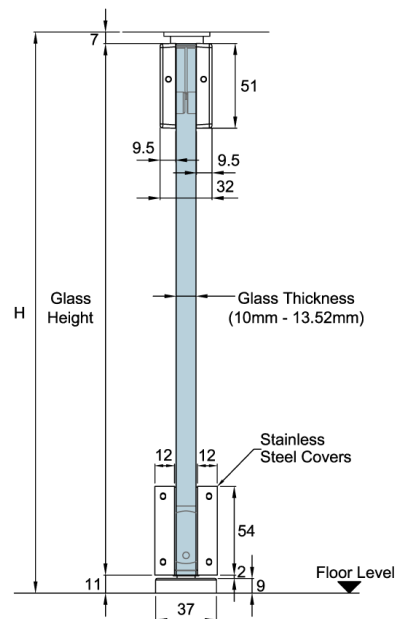
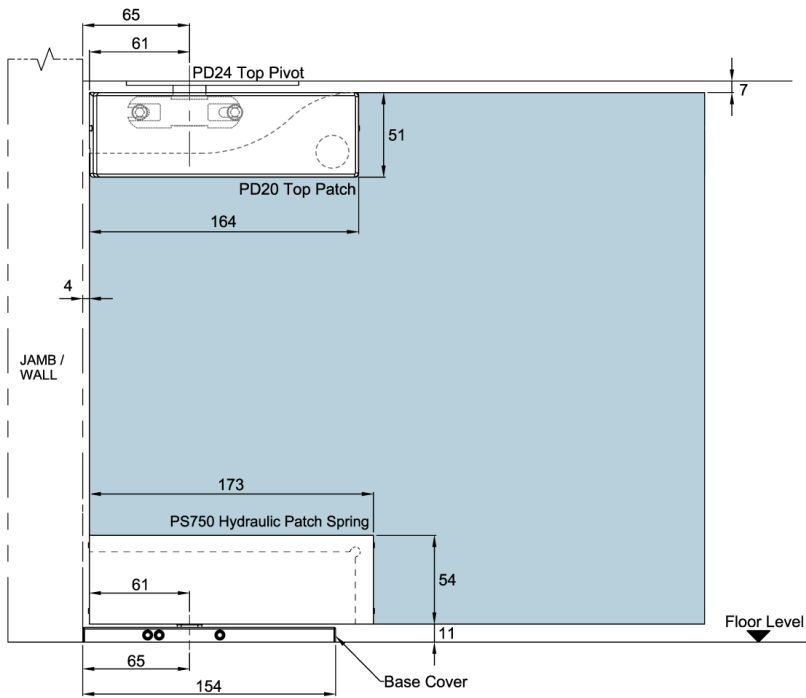
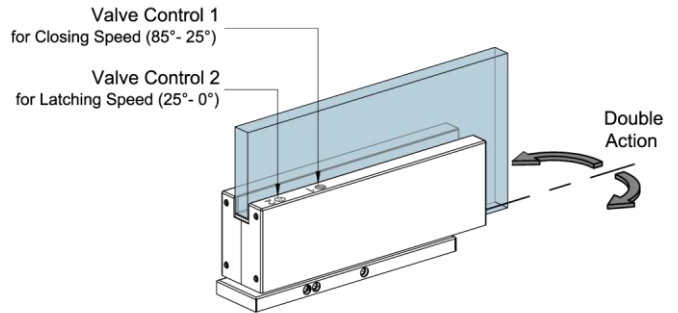
54 mm H

- *Maximum weight – 100kg*
- *Double action closer*
- *Adjustable closing and latching speed*
- *Positive self- centering*
- *Floor mounted for easy installation*
- *Blend in with Merlin universal patch fittings*

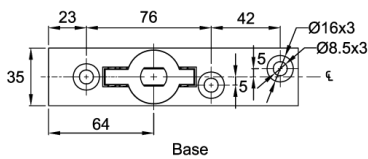
PS750

Heavy Duty Hydraulic Patch Spring

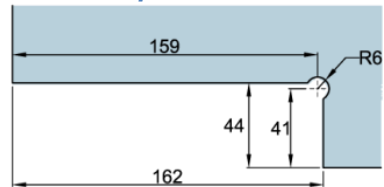
- 90° Hold open
- Suitable for 10 – 13.52mm thick glass door
- Maximum door weight: 100kg
- Maximum door width: 1000mm
- Closing range (85° to 25°), and latching range (25° to 0°)
- Available finish: Satin stainless steel or Polished stainless steel



GLASS HEIGHT = H - (11 + 7)
 *** H = Clear Height



Glass Preparation for PS750



Due to the company's policy of continuous product development and enhancement, the specifications and details contained in this brochure are subject to alteration without prior notice.

The dimensions, details, specifications and statements made herein or by our representatives arising out of any enquiries are given for information purposes only. They are not intended to have any legal effect and the company will not be bound thereby. The company will only accept obligations which are expressly negotiated for, and agreed and incorporated into written agreements made specifically with its respective customers.



Preference Pte Ltd

No. 2 Kallang Pudding Road, #01-02 Mactech Building, Singapore 349307

Tel: (65) 6746 5185 Fax: (65) 6746 8749 Email: enquiry@preference.com.sg Website: www.preference.com.sg