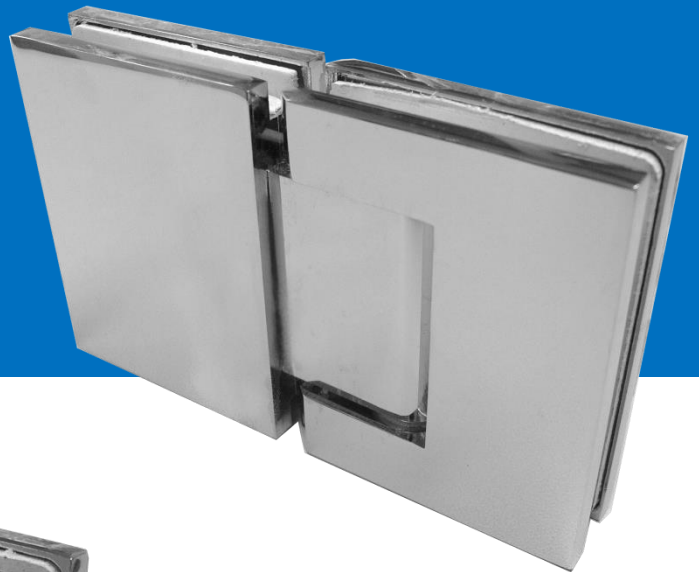


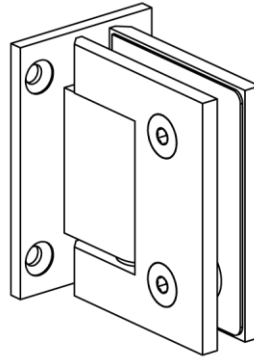
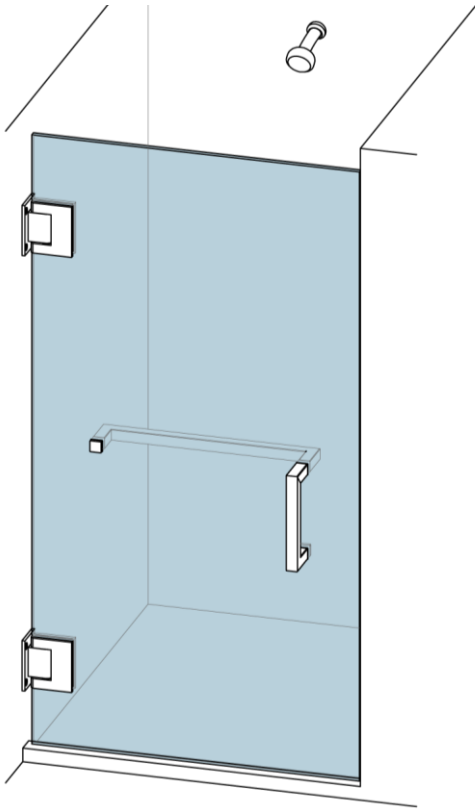


P & M®

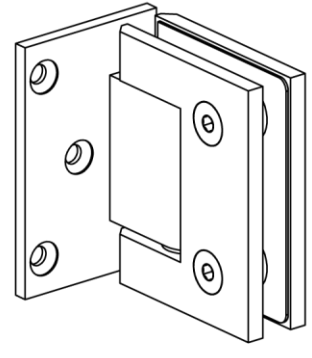
GX650

Shower Hinges





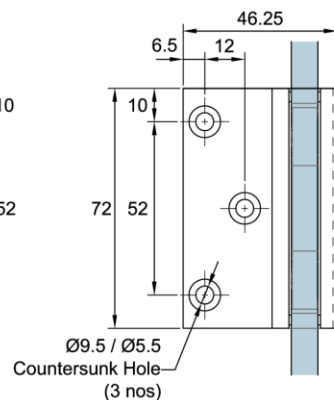
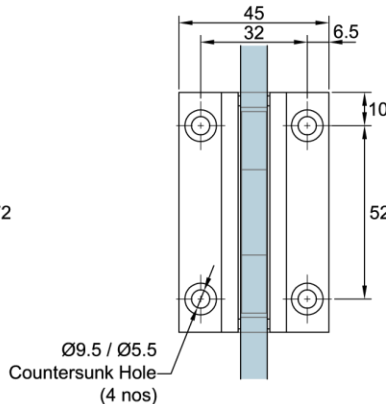
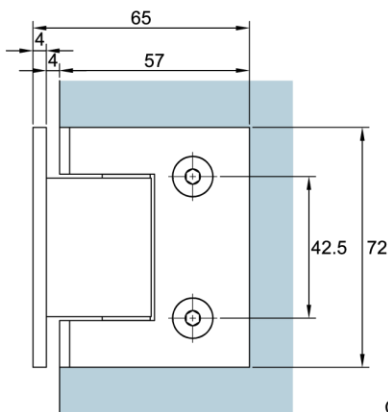
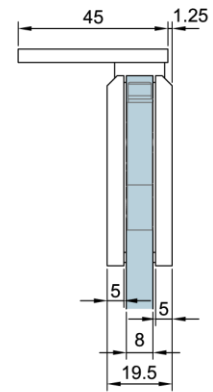
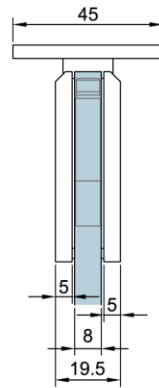
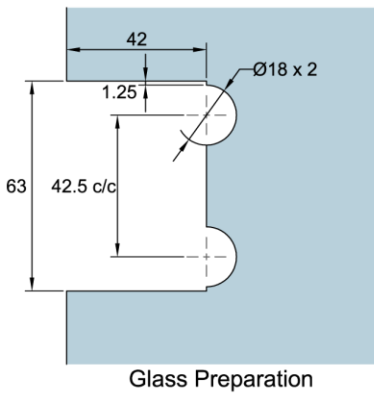
GX650.1

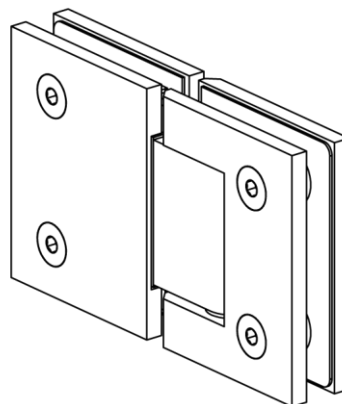
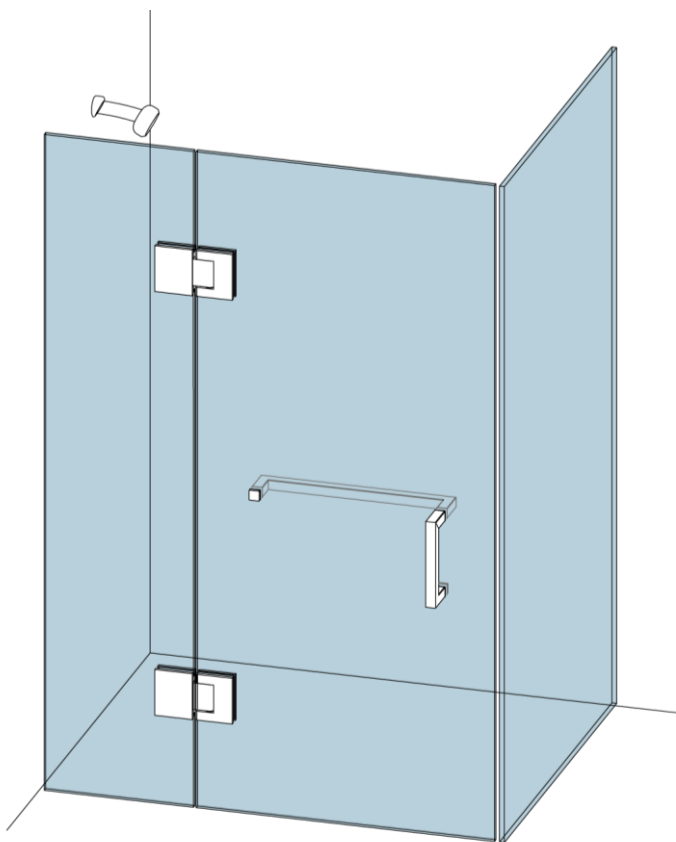


GX650.1OS

Wall Mounted Hinges

- 90° Wall Mounted Shower Hinge
- Self-closing function approximately from 25°
- Suitable for 8mm to 10mm glass thickness
- Maximum door weight: 45kg
- Maximum door width: 750mm
- Polished Chrome or Satin Chrome finish

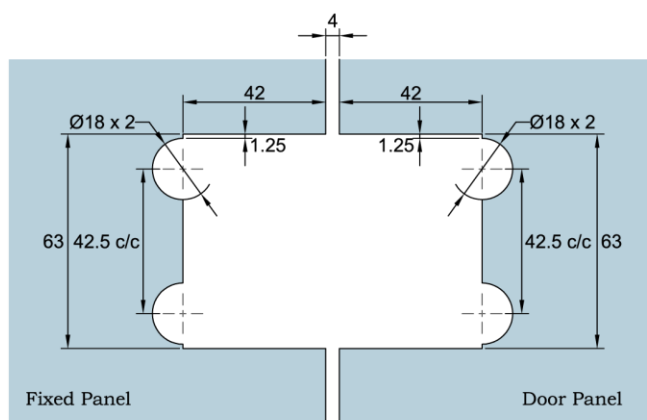
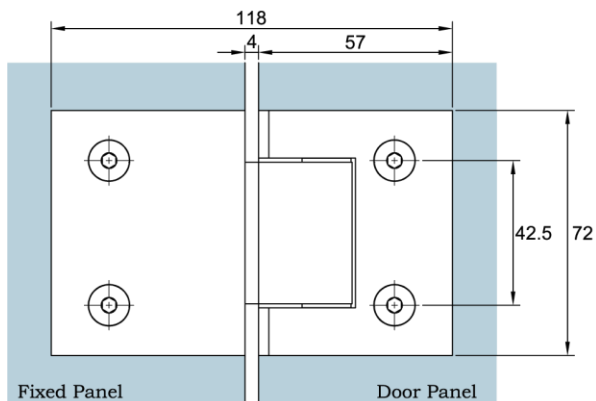
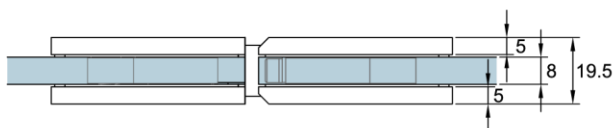




GX650.2

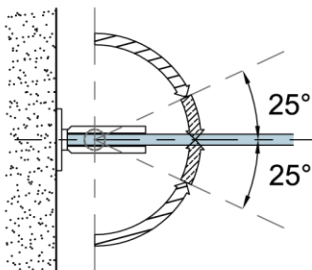
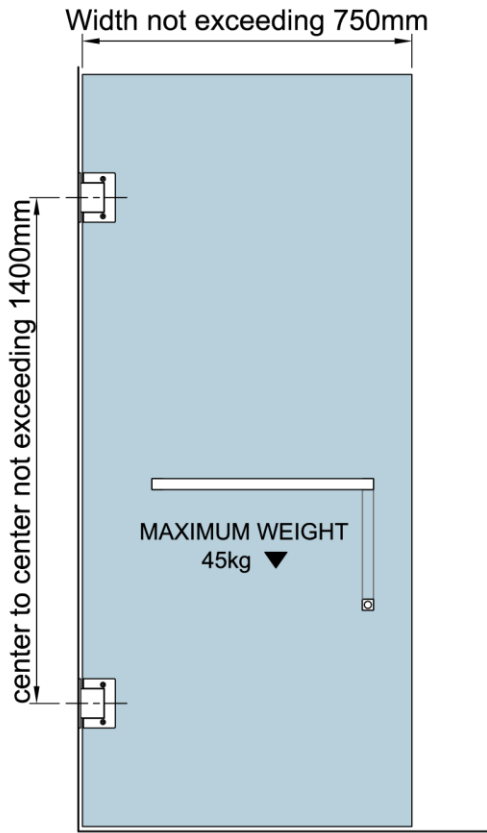
Glass to Glass Hinge

- 180° Glass to glass shower hinge
- Self-closing function approximately from 25°
- Suitable for 8mm to 10mm glass thickness
- Maximum door weight: 45kg
- Maximum door width: 750mm
- Polished Chrome or Satin Chrome finish



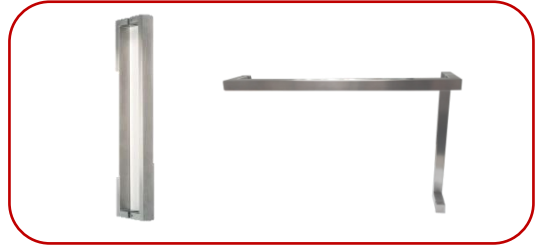
Glass Preparation

Illustration



**Self Closing function
approximately from 25°**

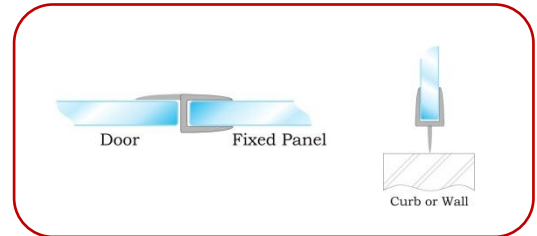
Related Products



Door Handles – Melosa Series



Latches & Locks – Alden Series



Vinyl Clip Seal – Gerda Series

Due to the company's policy of continuous product development and enhancement, the specifications and details contained in this brochure are subject to alteration without prior notice.

The dimensions, details, specifications and statements made herein or by our representatives arising out of any enquiries are given for information purposes only. They are not intended to have any legal effect and the company will not be bound thereby. The company will only accept obligations which are expressly negotiated for, and agreed and incorporated into written agreements made specifically with its respective customers.



Preference Pte Ltd

No.2 Kallang Pudding Road #01-02 Mactech Building Singapore 349307

Tel: (65) 6746 5185 Fax: (65) 6746 8749 Email: enquiry@preference.com.sg Website: www.preference.com.sg