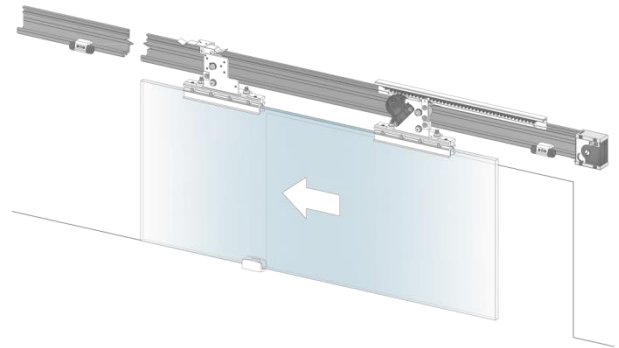
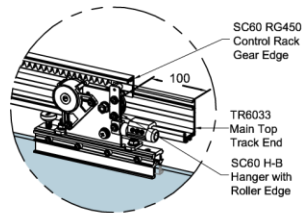


*Adjustable closing and latching speed  
Gentle and smooth closing action*

- SC60-3 suitable for 80-100 kg door panel
- SC60-2 suitable for 60-80 kg door panel
- Hold-Open function
- Pull spring closing device and hydraulic latching control device
- with Anti-jump and catch device
- Endurance Test: 360,000 cycles
- Maximum Door Panel Width: 1600mm
- Optional Accessories: Track Cover

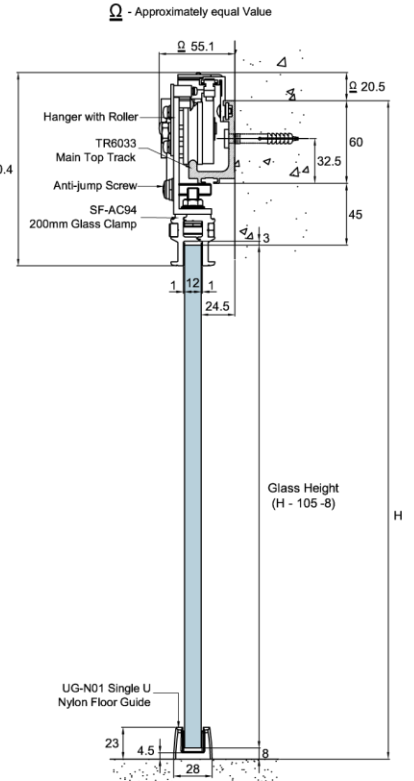
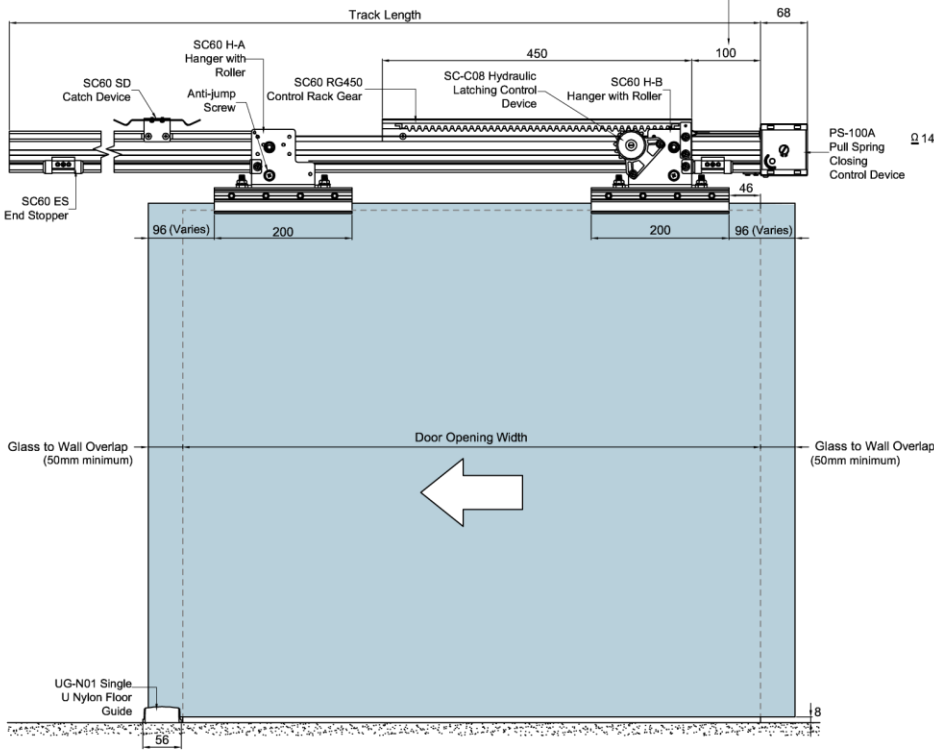


**LH** denotes that the door opens to the left when facing the mechanism.



\*Edge of SC60 RG450 Control Rack and edge of SC60 H-B Hanger with roller is recommended to have the same distance of 100mm from TR6033 Main Top Track end when in closed position

**SC60-3**



Due to the company's policy of continuous product development and enhancement, the specifications and details contained in this brochure are subject to alteration without prior notice.

The dimensions, details, specifications and statements made herein or by our representatives arising out of any enquiries are given for information purposes only. They are not intended to have any legal effect and the company will not be bound thereby. The company will only accept obligations which are expressly negotiated for, and agreed and incorporated into written agreements made specifically with its respective customers.



**Preference Pte Ltd**

No.2 Kallang Pudding Road #01-02 Mactech Building Singapore 349307

Tel: (65) 6746 5185 Fax: (65) 6746 8749 Email: enquiry@preference.com.sg Website: www.preference.com.sg