

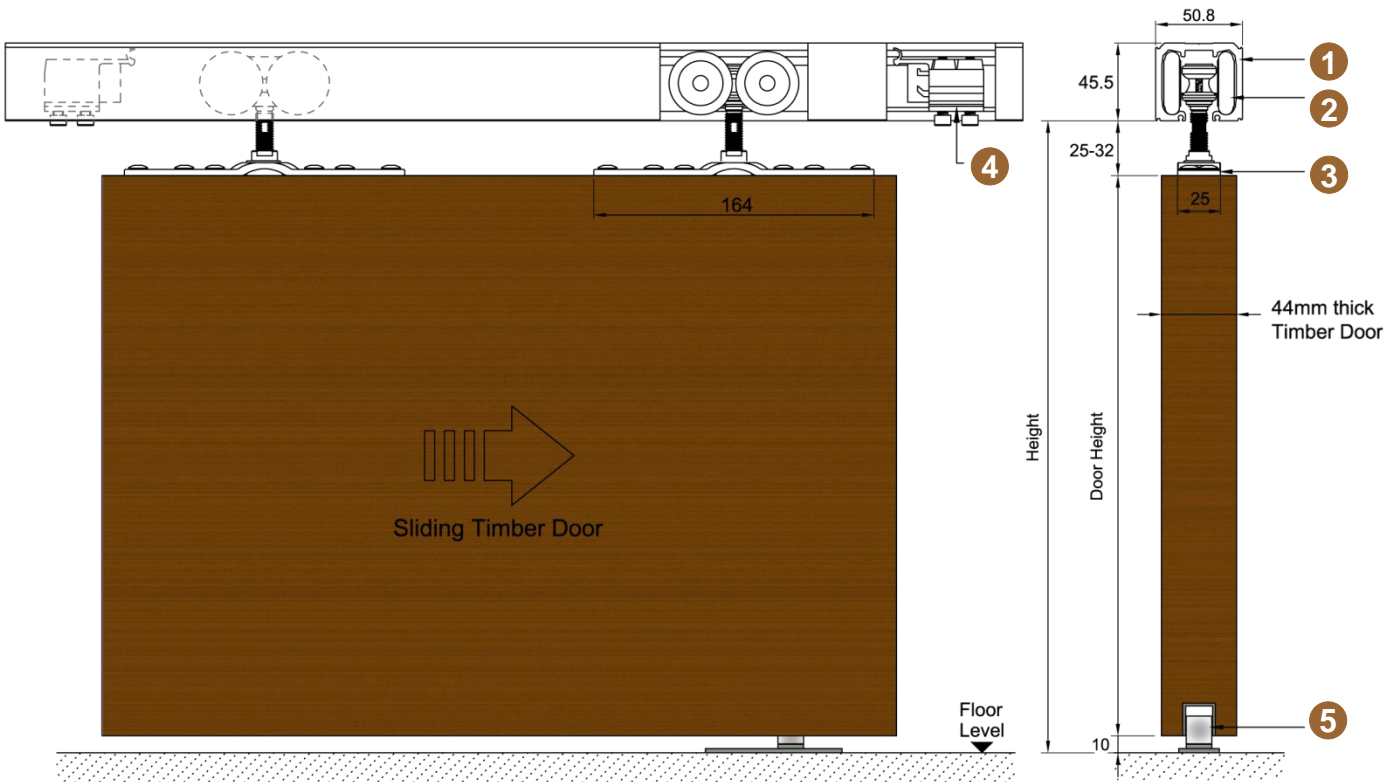
P&M[®] Sliding Door Gear for Timber Door



SF80-WD

Maximum Weight: 250kg

				
1 TR80 aluminium top track 1 pc	2 CR80 carriage roller 2 pcs	3 MH164 hanging strap 2 pcs	4 SF-ESC70 end stopper 2 pcs	5 RG15 roller guide 1 pc



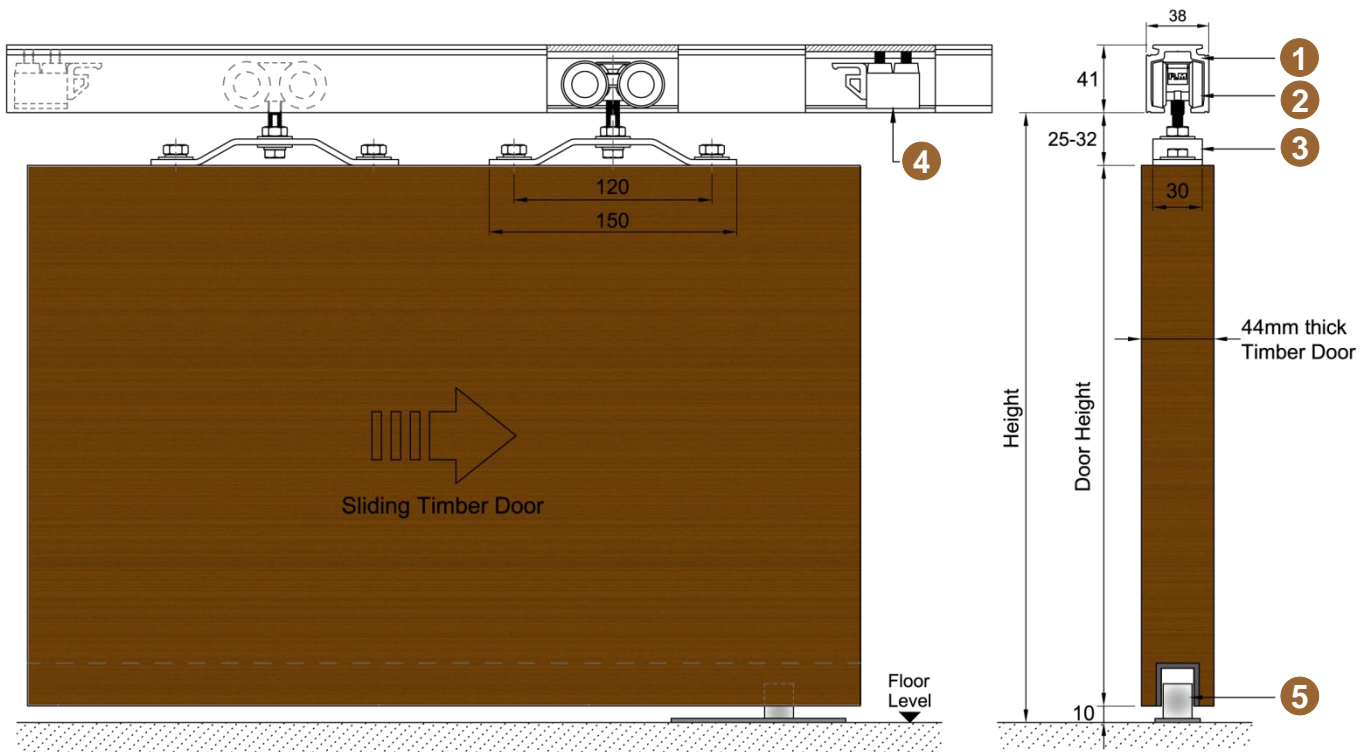
P&M[®] SF50-WD

Sliding door gear for timber door

Maximum Weight: 150kg



				
1 TR50 aluminium top track 2.5m length 1 pc	2 CR50 carriage roller 2 pcs	3 MH120 hanging strap 2 pcs	4 SF-ESC end stopper 2 pcs	5 RG15 roller guide 1 pc



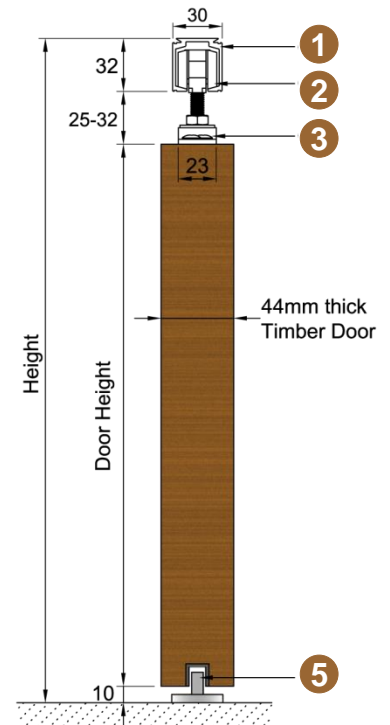
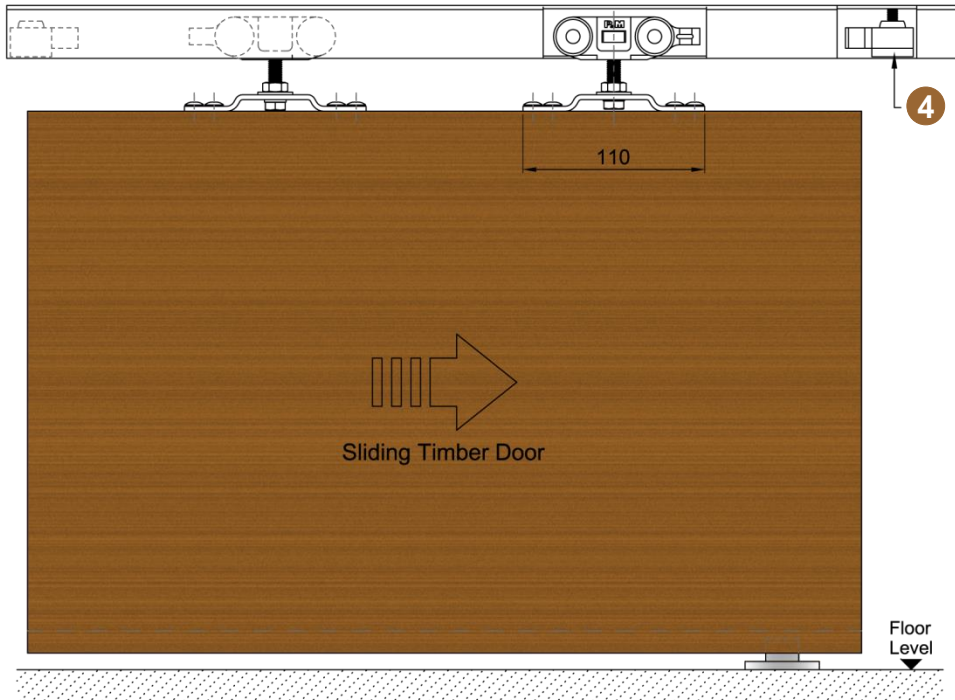
P&M[®] SF16-WD

Sliding door gear for timber door

Maximum Weight: 60kg



				
1	2	3	4	5
TR16 aluminium top track 1.96m length 1 pc	CR16 Carriage roller 2 pcs	SF-163 Hanging strap 2 pcs	SF-165 End stopper with catch device 2 pcs	SF-164 Nylon floor guide 1 pc

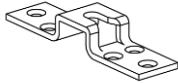
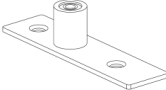
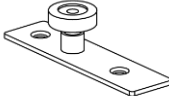
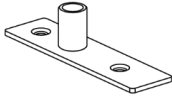
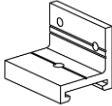
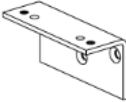
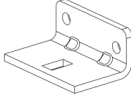





Sliding Door Gear for Timber Door

www.preference.com.sg

OPTIONAL ACCESSORIES

 MH85 stainless steel Hanging strap	 RG17.5 roller guide	 RG25 roller guide	 PD24R roller pivot
 SF-WMB wall mount bracket	 SF-WMB.2 wall mount bracket	 SF-WMB.3 wall mount bracket	 SF-166 wall mount bracket

Due to the company's policy of continuous product development and enhancement, the specifications and details contained in this brochure are subject to alteration without prior notice.

The dimensions, details, specifications and statements made herein or by our representatives arising out of any enquiries are given for information purposes only. They are not intended to have any legal effect and the company will not be bound thereby. The company will only accept obligations which are expressly negotiated for, and agreed and incorporated into written agreements made specifically with its respective customers.



Preference Pte Ltd

No.2 Kallang Pudding Road #01-02 Mactech Building Singapore 349307

Tel: (65) 6746 5185 Fax: (65) 6746 8749 Email: enquiry@preference.com.sg Website: www.preference.com.sg