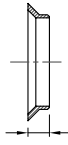
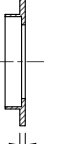

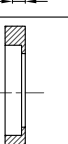
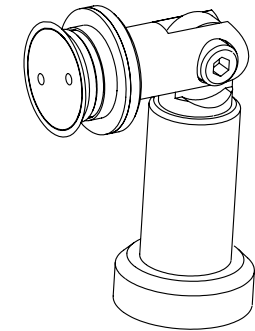
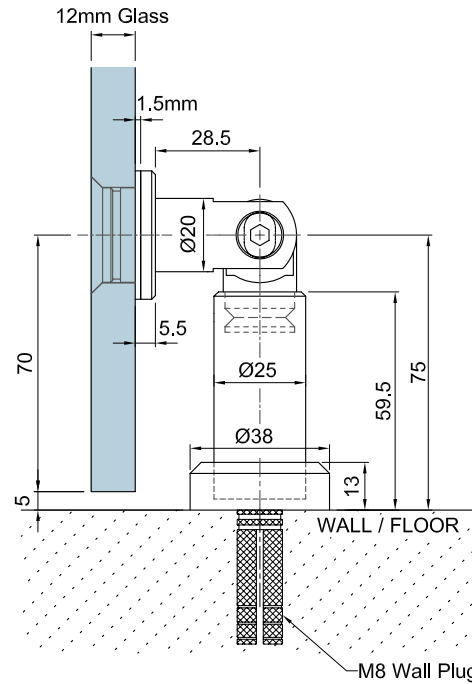
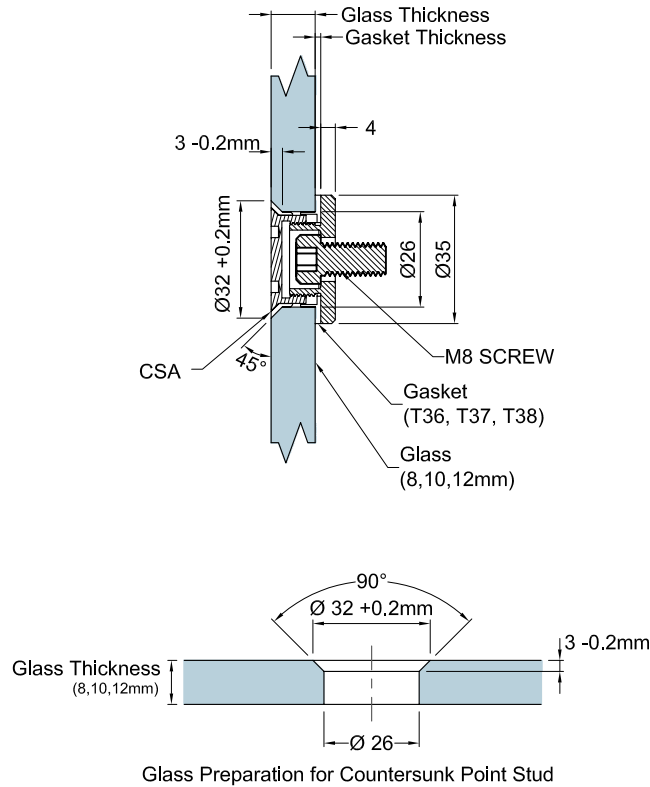


Glass Thickness	8 - 12 mm Glass Thickness
Material	SUS304 Stainless Steel
Product Finish	Satin Stainless Steel

ROUND GASKET MODEL	
CSA Gasket	T39  5.85
for 12mm Glass Thickness	T38  1.5
for 10mm Glass Thickness	T37  3.5
for 8mm Glass Thickness	T36  5.5

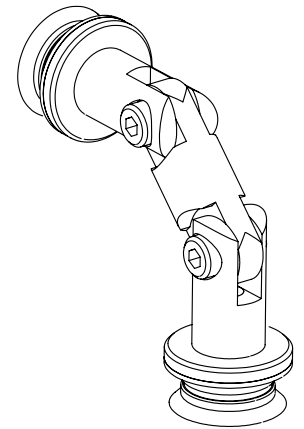
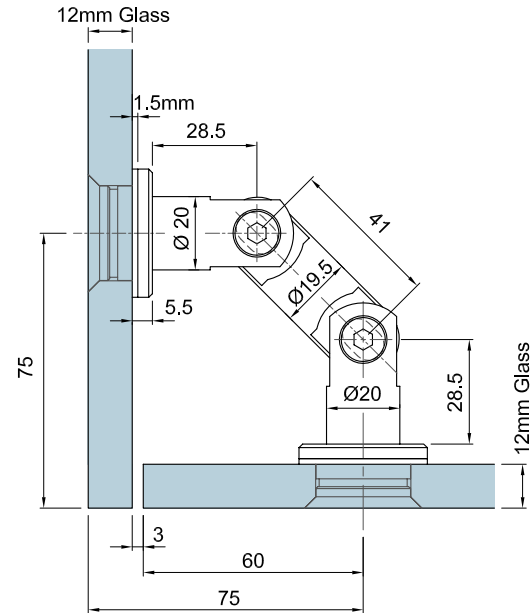
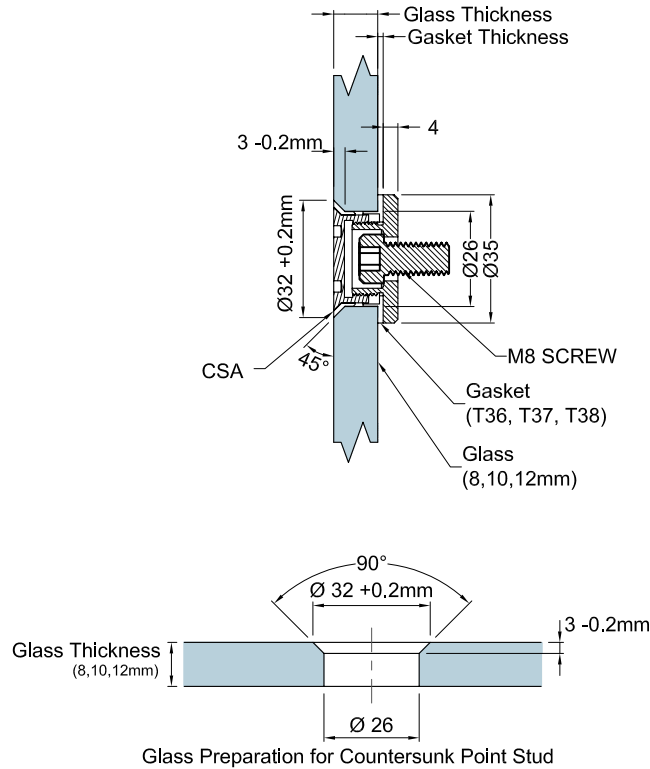


CSA - Countersunk Point Stud (Adjustable)
(for 8, 10, 12mm Glass Thickness)

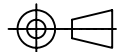


Glass Thickness	8 - 12 mm Glass Thickness
Material	SUS304 Stainless Steel
Product Finish	Satin Stainless Steel

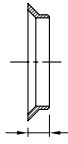

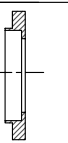
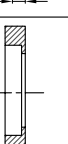
ROUND GASKET MODEL	
CSA Gasket	T39 5.85
for 12mm Glass Thickness	T38 1.5
for 10mm Glass Thickness	T37 3.5
for 8mm Glass Thickness	T36 5.5

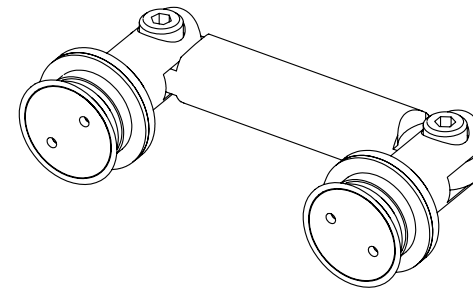
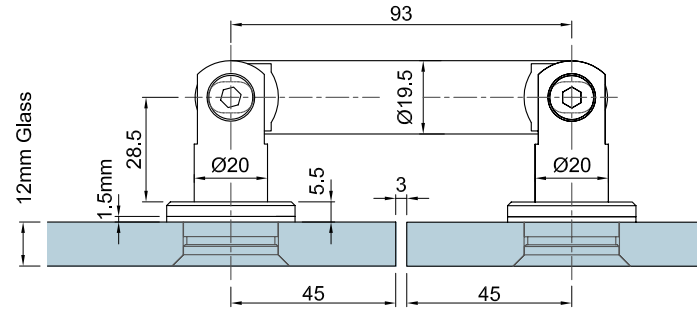
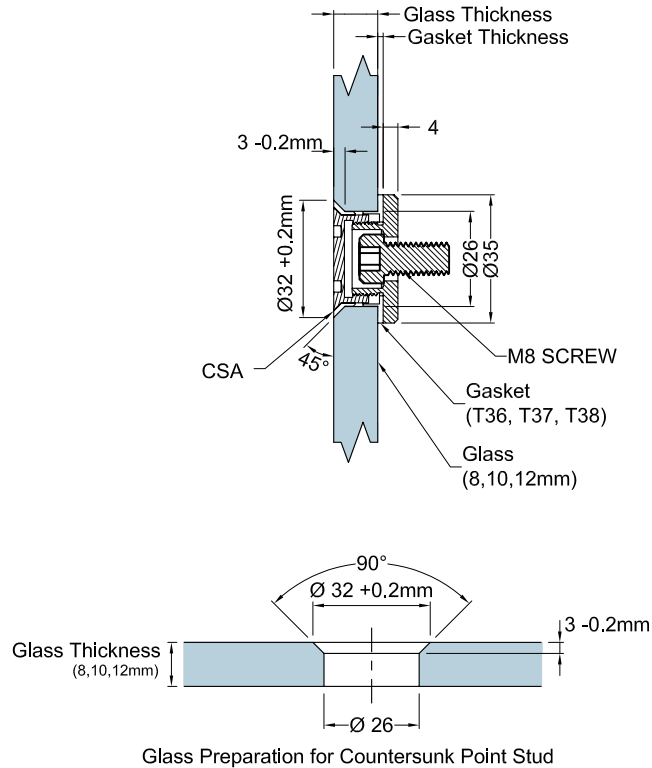


CSA - Countersunk Point Stud (Adjustable)
(for 8, 10, 12mm Glass Thickness)



Glass Thickness	8 - 12 mm Glass Thickness
Material	SUS304 Stainless Steel
Product Finish	Satin Stainless Steel

ROUND GASKET MODEL	
CSA Gasket	T39  5.85
for 12mm Glass Thickness	T38  1.5
for 10mm Glass Thickness	T37  3.5
for 8mm Glass Thickness	T36  5.5



CSA - Countersunk Point Stud (Adjustable)
(for 8, 10, 12mm Glass Thickness)



Preference Pte. Ltd.
www.preference.com.sg

Model: PG2 (93) 180° Glass To Glass Connector

Art. No.

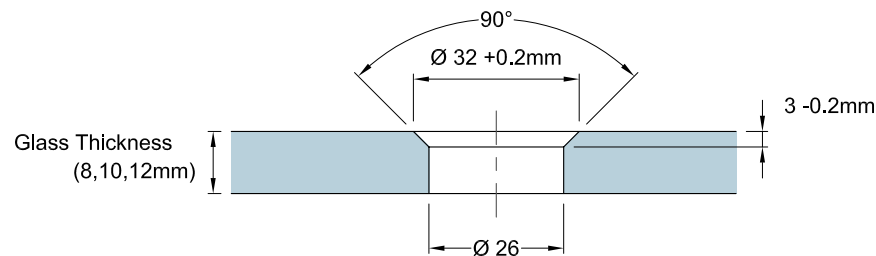
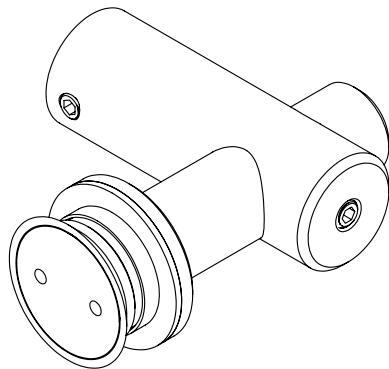
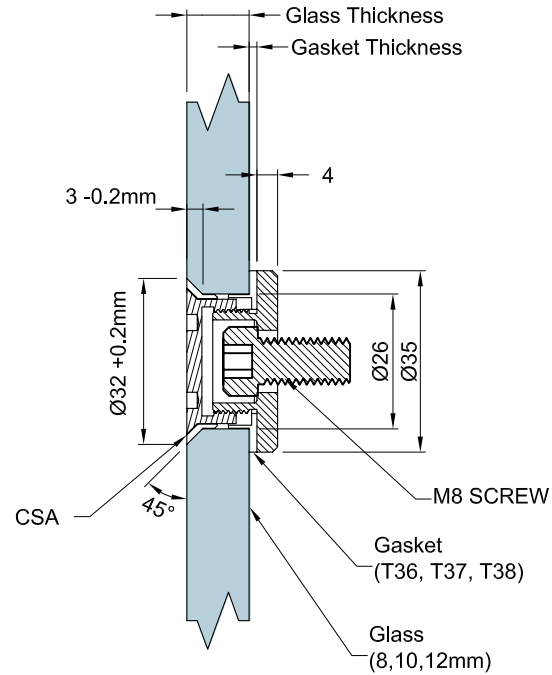
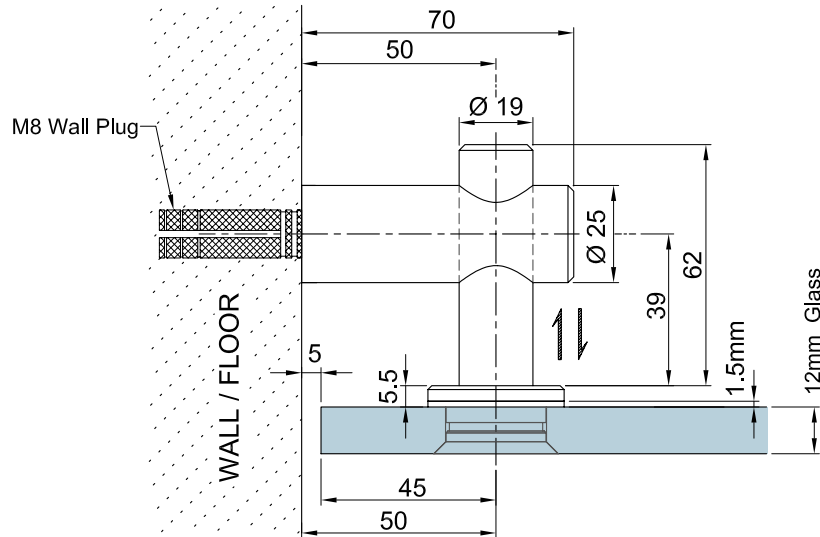


Date : 06-APRIL-2015

Disclaimer:

This drawing shows the actual stage of product development at the date indicated. No claims or damages in any form can be made against Preference Pte. Ltd. as a result of the interpretation of this drawing. This drawing remains the property of Preference Pte. Ltd. and is made available to third parties only for the duration of contractual obligations. All rights connected with this drawing remain in possession of Preference Pte. Ltd. This drawing may not be copied or handed over to third parties without the express consent of Preference Pte. Ltd.

Glass Thickness	8 - 12 mm Glass Thickness
Material	SUS304 Stainless Steel
Product Finish	Satin Stainless Steel



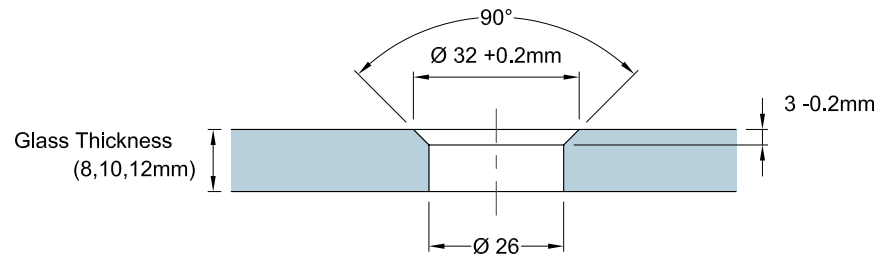
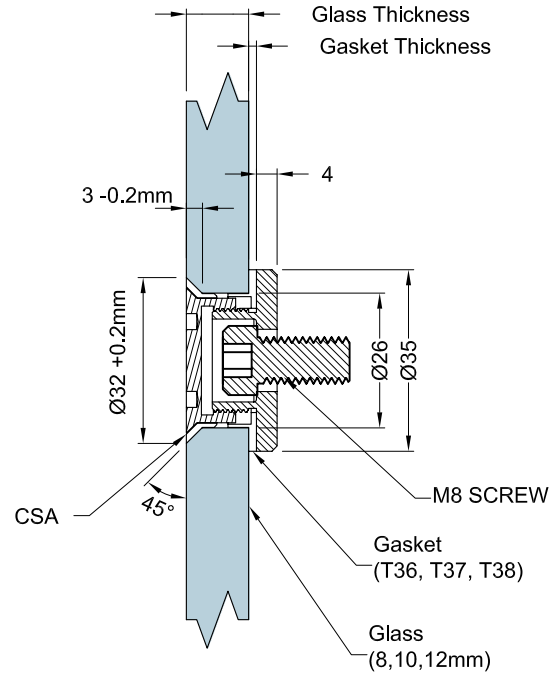
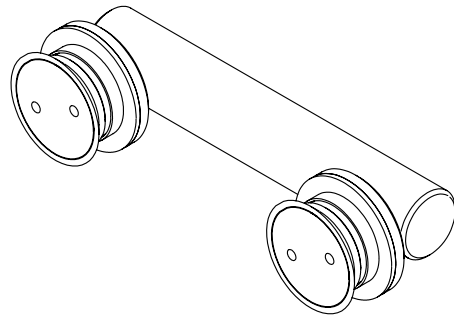
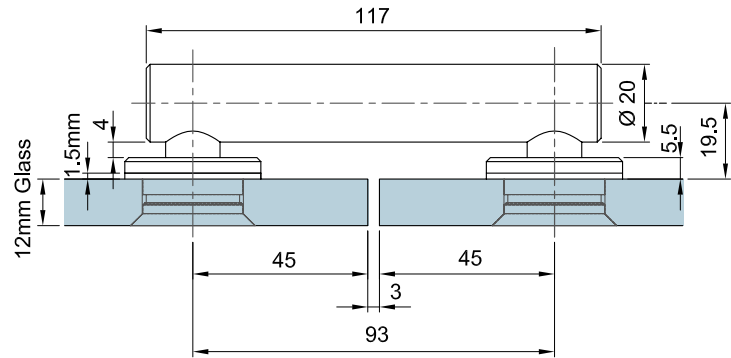
Glass Preparation for Countersunk Point Stud

CSA - Countersunk Point Stud (Adjustable)
(for 8, 10, 12mm Glass Thickness)

ROUND GASKET MODEL	
CSA Gasket	T39 5.85
for 12mm/17.52mm Glass Thickness	T38 1.5
for 10mm/15.52mm Glass Thickness	T37 3.5
for 8mm/13..52mm Glass Thickness	T36 5.5

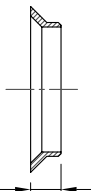


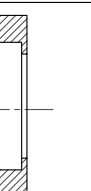


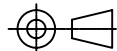
Glass Thickness	8 - 12 mm Glass Thickness
Material	SUS304 Stainless Steel
Product Finish	Satin Stainless Steel



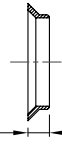


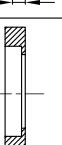
Glass Preparation for Countersunk Point Stud

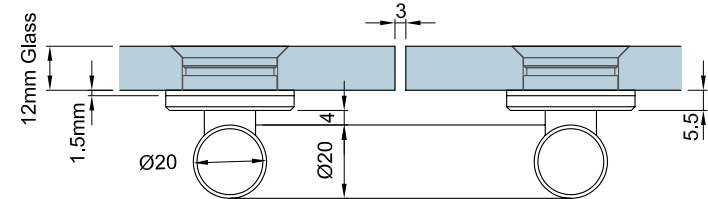
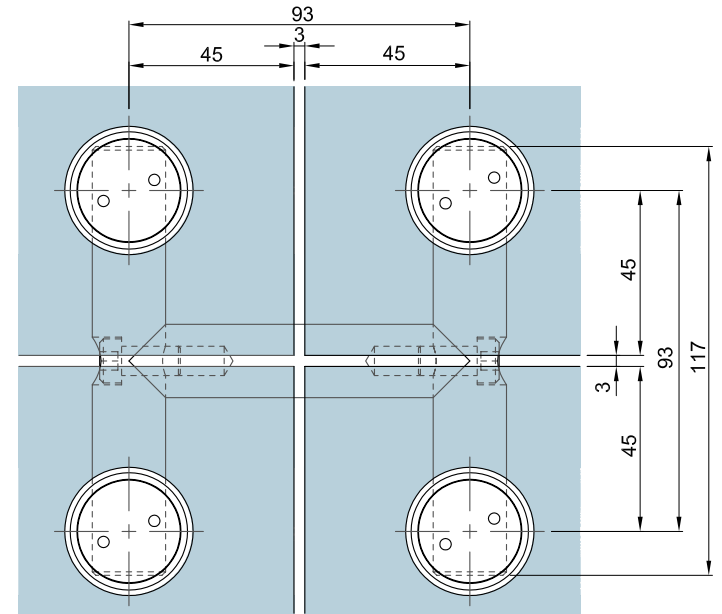
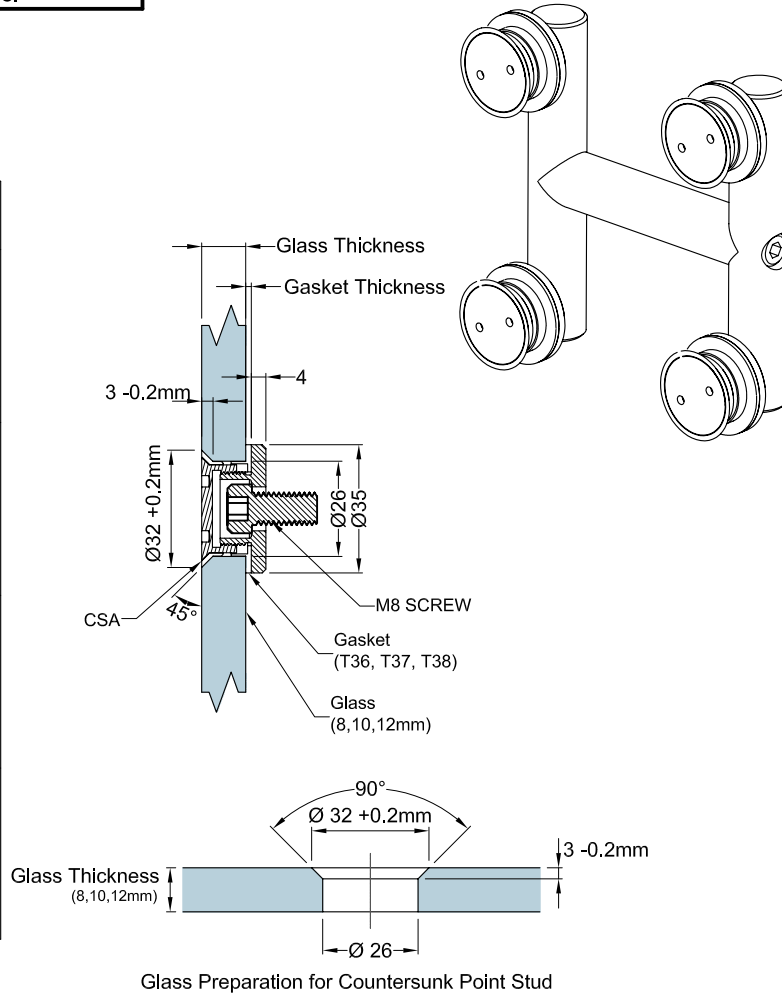
CSA - Countersunk Point Stud (Adjustable)
(for 8, 10, 12mm Glass Thickness)

ROUND GASKET MODEL	
CSA Gasket	T39  5.85
for 12mm/17.52mm Glass Thickness	T38  1.5
for 10mm/15.52mm Glass Thickness	T37  3.5
for 8mm/13..52mm Glass Thickness	T36  5.5



Glass Thickness	8 - 12 mm Glass Thickness
Material	SUS304 Stainless Steel
Product Finish	Satin Stainless Steel

ROUND GASKET MODEL	
CSA Gasket	T39  5.85
for 12mm Glass Thickness	T38  1.5
for 10mm Glass Thickness	T37  3.5
for 8mm Glass Thickness	T36  5.5



CSA - Countersunk Point Stud (Adjustable)
(for 8, 10, 12mm Glass Thickness)



Preference Pte. Ltd.
www.preference.com.sg

Model: MC2-4 180° Quad Glass Connector

Art. No.

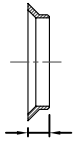
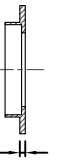
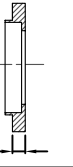
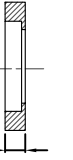


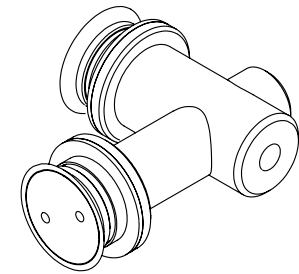
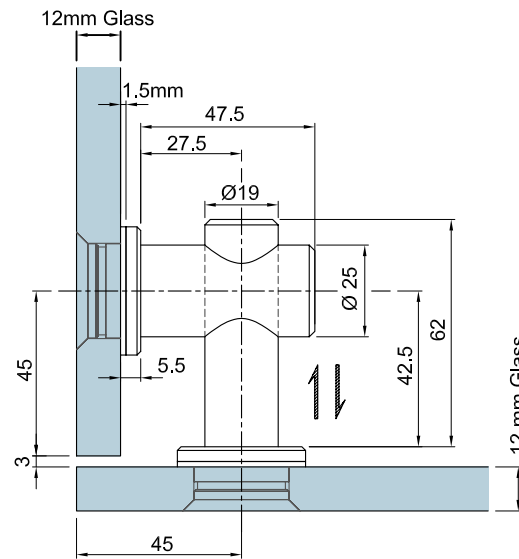
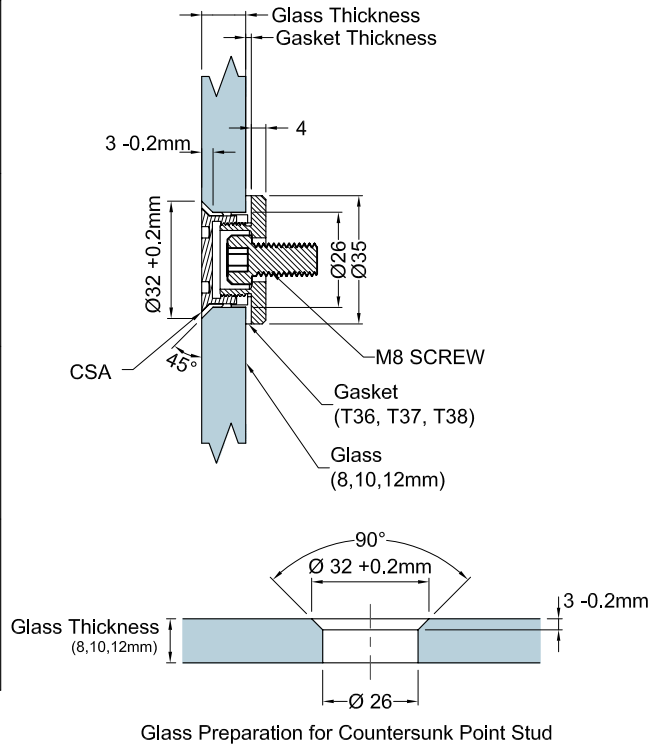
Date : 06-APRIL-2015

Disclaimer:

This drawing shows the actual stage of product development at the date indicated. No claims or damages in any form can be made against Preference Pte. Ltd. as a result of the interpretation of this drawing. This drawing remains the property of Preference Pte. Ltd. and is made available to third parties only for the duration of contractual obligations. All rights connected with this drawing remain in possession of Preference Pte. Ltd. This drawing may not be copied or handed over to third parties without the express consent of Preference Pte. Ltd.

Glass Thickness	8 - 12 mm Glass Thickness
Material	SUS304 Stainless Steel
Product Finish	Satin Stainless Steel

ROUND GASKET MODEL	
CSA Gasket	T39  5.85
for 12mm Glass Thickness	T38  1.5
for 10mm Glass Thickness	T37  3.5
for 8mm Glass Thickness	T36  5.5



CSA - Countersunk Point Stud (Adjustable)
(for 8, 10, 12mm Glass Thickness)



Preference Pte. Ltd.
www.preference.com.sg

Model: MC3 90° Glass To Glass Connector

Art. No.

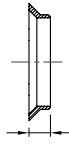





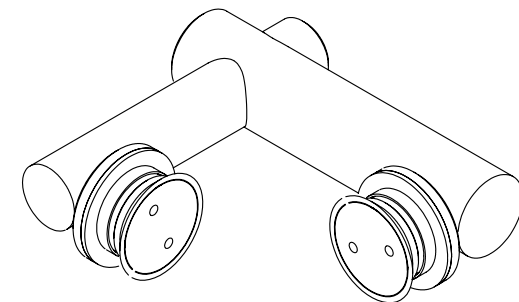
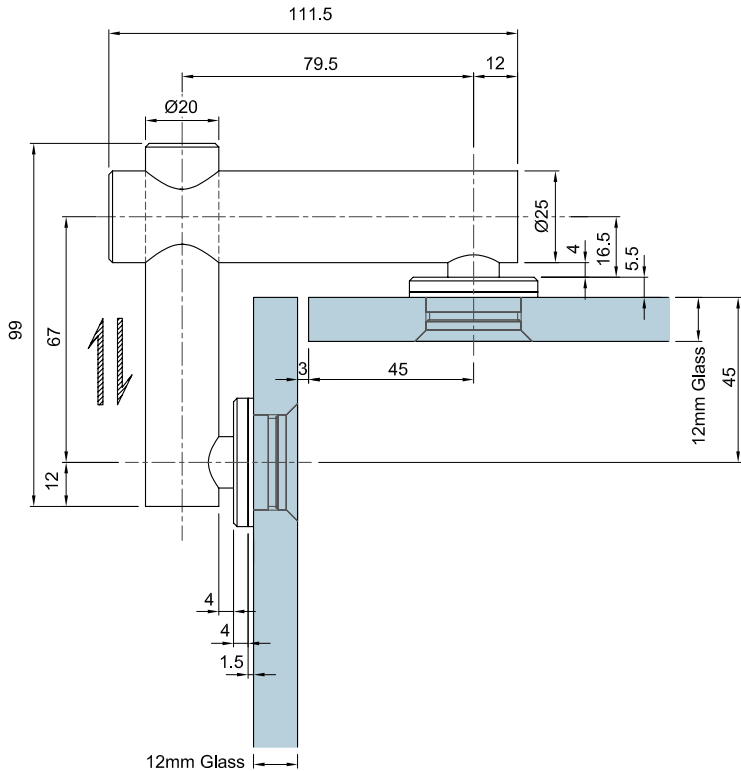
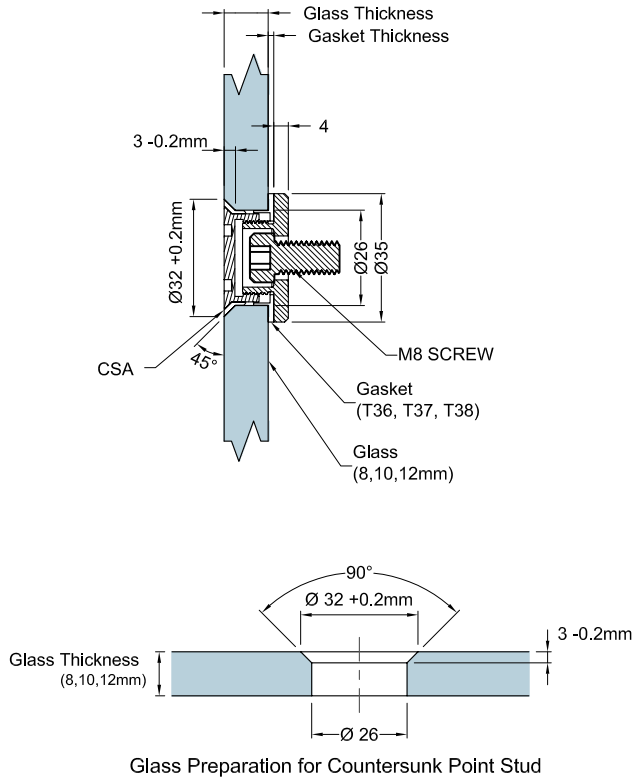
Date : 06-APRIL-2015

Disclaimer:

This drawing shows the actual stage of product development at the date indicated. No claims or damages in any form can be made against Preference Pte. Ltd. as a result of the interpretation of this drawing. This drawing remains the property of Preference Pte. Ltd. and is made available to third parties only for the duration of contractual obligations. All rights connected with this drawing remain in possession of Preference Pte. Ltd. This drawing may not be copied or handed over to third parties without the express consent of Preference Pte. Ltd.

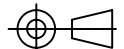
Glass Thickness	8 - 12 mm Glass Thickness
Material	SUS304 Stainless Steel
Product Finish	Satin Stainless Steel

ROUND GASKET MODEL	
CSA Gasket	T39  5.85
for 12mm Glass Thickness	T38  1.5
for 10mm Glass Thickness	T37  3.5
for 8mm Glass Thickness	T36  5.5



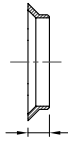


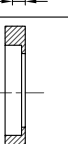
CSA - Countersunk Point Stud (Adjustable)
(for 8, 10, 12mm Glass Thickness)

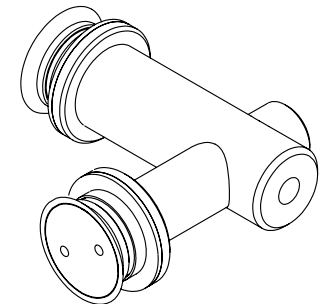
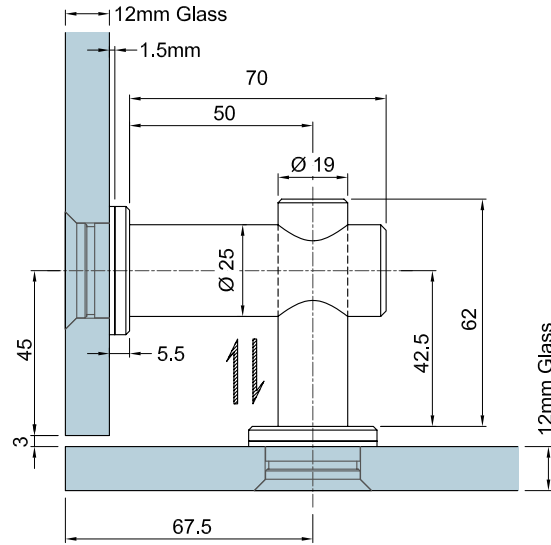
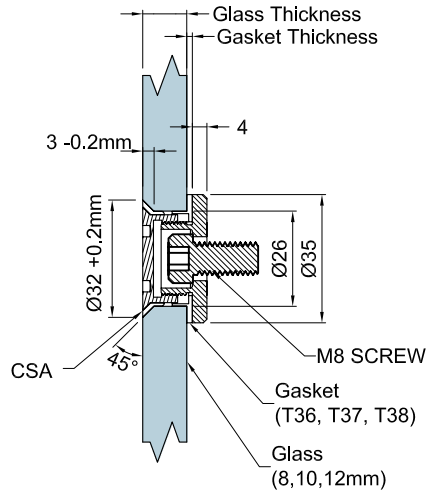
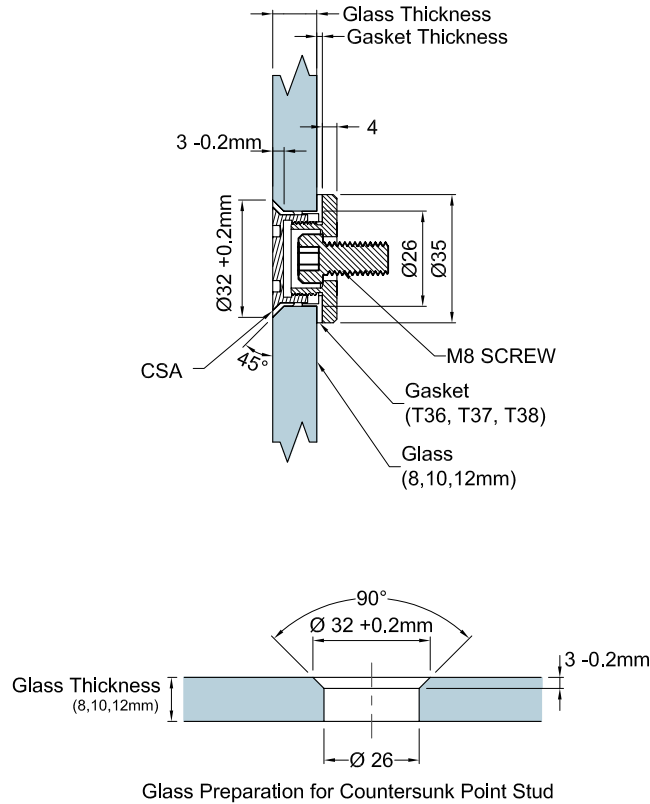
Preference
The Preferred Name in Entrance Systems
Preference Pte. Ltd.
www.preference.com.sg

Model: MC4 90° Glass To Glass Connector (External)
Art. No.

Date : 06-APRIL-2015

Disclaimer:
This drawing shows the actual stage of product development at the date indicated. No claims or damages in any form can be made against Preference Pte. Ltd. as a result of the interpretation of this drawing. This drawing remains the property of Preference Pte. Ltd. and is made available to third parties only for the duration of contractual obligations. All rights connected with this drawing remain in possession of Preference Pte. Ltd. This drawing may not be copied or handed over to third parties without the express consent of Preference Pte. Ltd.

Glass Thickness	8 - 12 mm Glass Thickness
Material	SUS304 Stainless Steel
Product Finish	Satin Stainless Steel

ROUND GASKET MODEL	
CSA Gasket	T39  5.85
for 12mm Glass Thickness	T38  1.5
for 10mm Glass Thickness	T37  3.5
for 8mm Glass Thickness	T36  5.5



CSA - Countersunk Point Stud (Adjustable)
(for 8, 10, 12mm Glass Thickness)



Preference Pte. Ltd.
www.preference.com.sg

Model: MC5 90° Glass To Glass Connector (Internal)

Art. No.



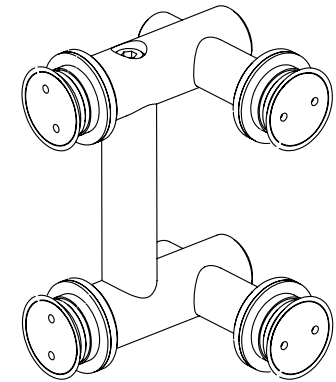
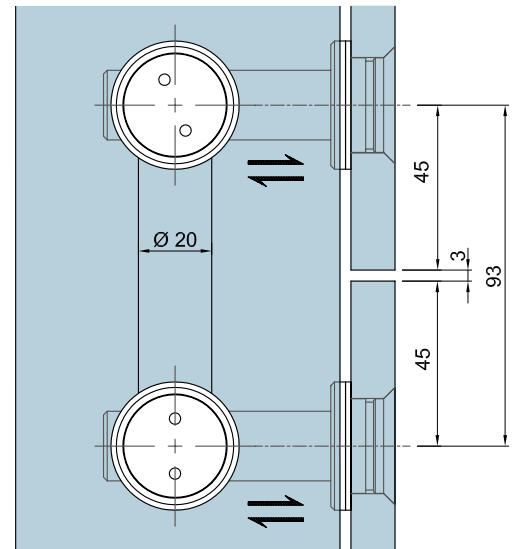
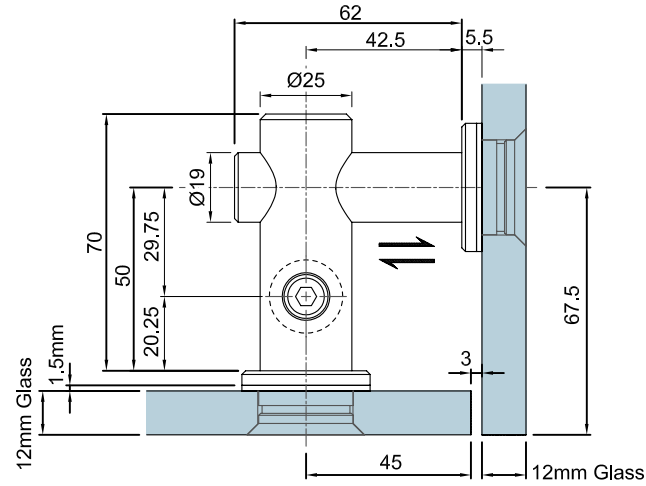
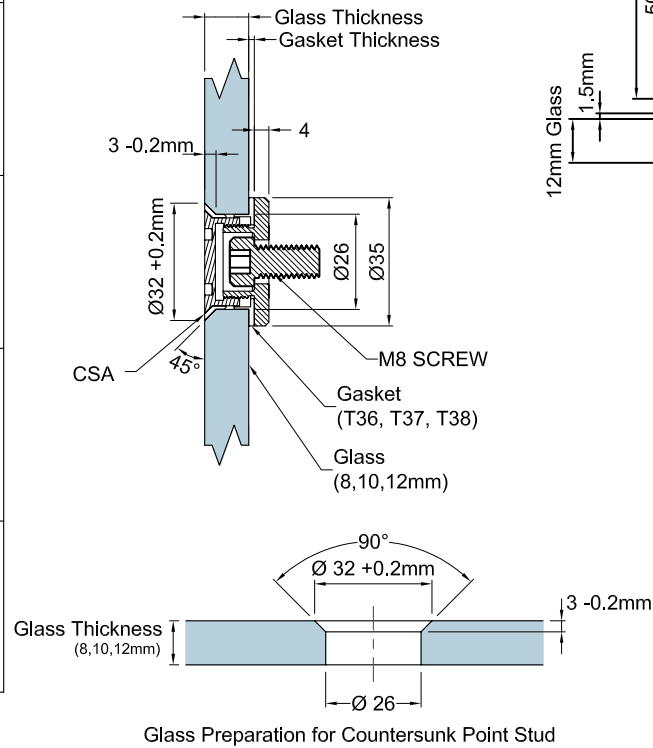
Date : 06-APRIL-2015

Disclaimer:

This drawing shows the actual stage of product development at the date indicated. No claims or damages in any form can be made against Preference Pte. Ltd. as a result of the interpretation of this drawing. This drawing remains the property of Preference Pte. Ltd. and is made available to third parties only for the duration of contractual obligations. All rights connected with this drawing remain in possession of Preference Pte. Ltd. This drawing may not be copied or handed over to third parties without the express consent of Preference Pte. Ltd.

Glass Thickness	8 - 12 mm Glass Thickness
Material	SUS304 Stainless Steel
Product Finish	Satin Stainless Steel

ROUND GASKET MODEL	
CSA Gasket	T39 5.85
for 12mm Glass Thickness	T38 1.5
for 10mm Glass Thickness	T37 3.5
for 8mm Glass Thickness	T36 5.5



CSA - Countersunk Point Stud (Adjustable)
(for 8, 10, 12mm Glass Thickness)



Preference Pte. Ltd.
www.preference.com.sg

Model: MC5-4 90° Quad Glass Connector (Internal)

Art. No.



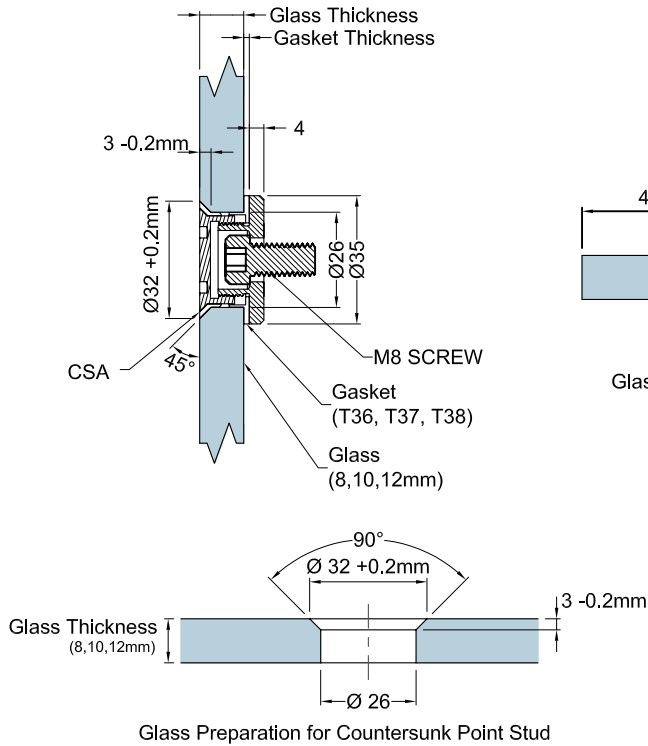
Date : 06-APRIL-2015

Disclaimer:

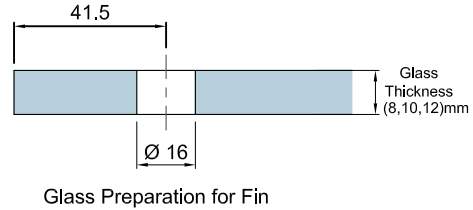
This drawing shows the actual stage of product development at the date indicated. No claims or damages in any form can be made against Preference Pte. Ltd. as a result of the interpretation of this drawing. This drawing remains the property of Preference Pte. Ltd. and is made available to third parties only for the duration of contractual obligations. All rights connected with this drawing remain in possession of Preference Pte. Ltd. This drawing may not be copied or handed over to third parties without the express consent of Preference Pte. Ltd.

Glass Thickness	8 - 12 mm Glass Thickness
Material	SUS304 Stainless Steel
Product Finish	Satin Stainless Steel

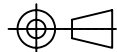
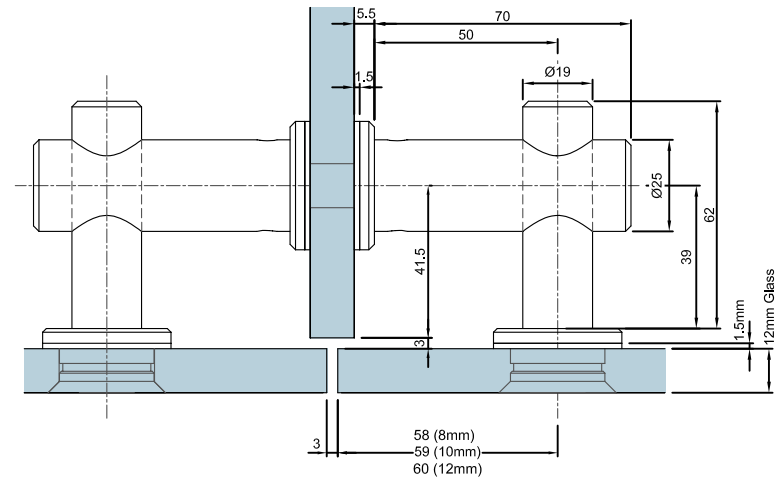
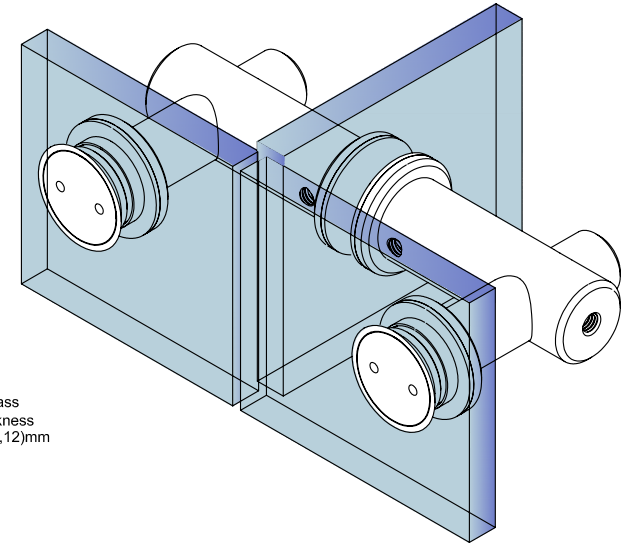
ROUND GASKET MODEL	
CSA Gasket	T39 5.85
for 12mm Glass Thickness	T38 1.5
for 10mm Glass Thickness	T37 3.5
for 8mm Glass Thickness	T36 5.5



CSA - Countersunk Point Stud (Adjustable)
(for 8, 10, 12mm Glass Thickness)

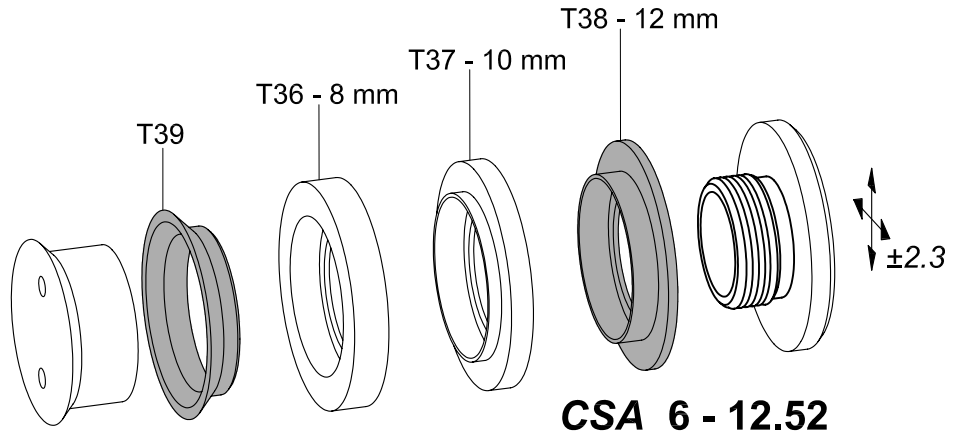
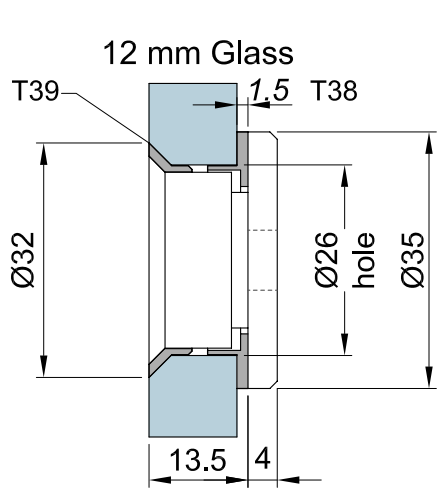


Glass Preparation for Fin

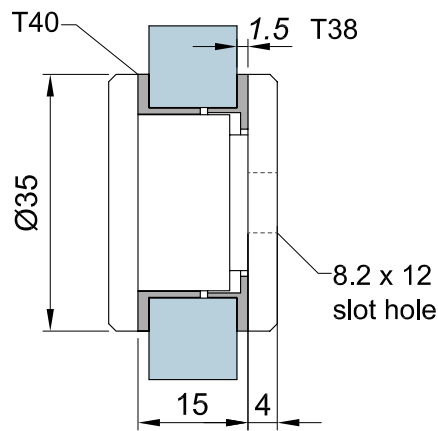


P & M[®] Point Fix System

CSA Countersunk and FHA Flathead Adjustable Point Studs

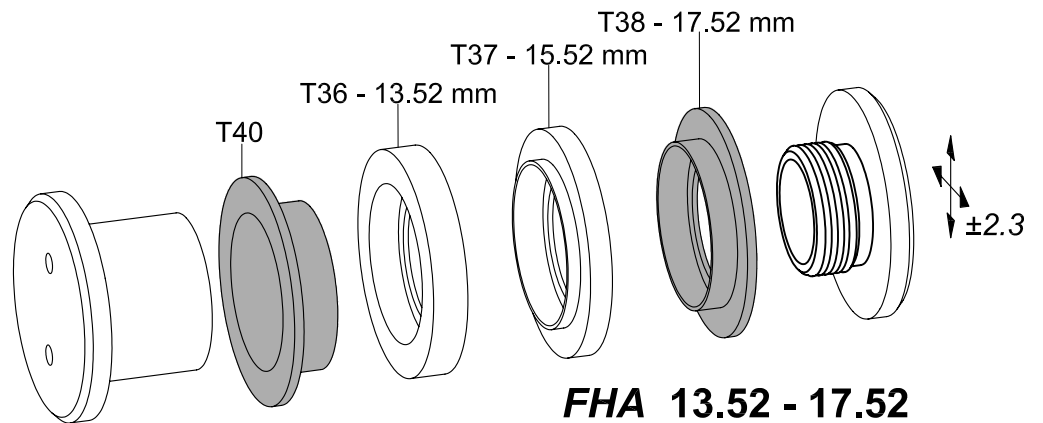
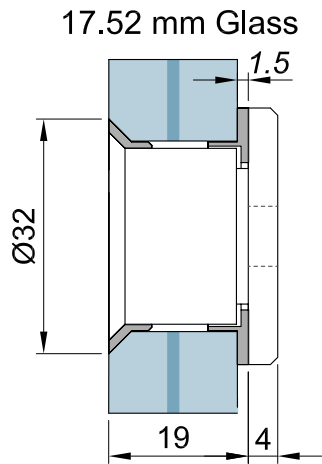


CSA 6 - 12.52



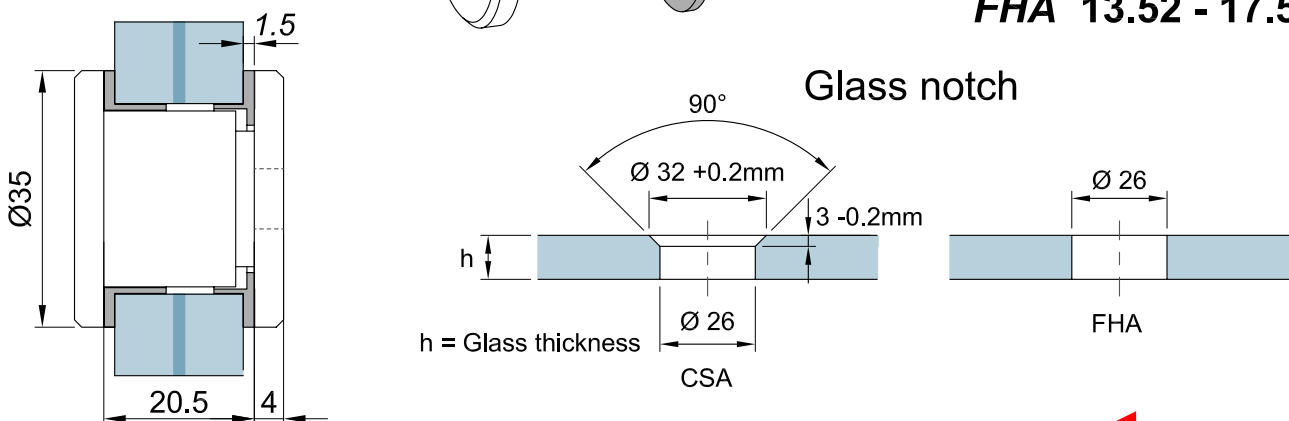
Model	h (mm)	Front gaskets	Base gaskets
CSA 6 - 12.52 FHA 6 - 12.52	6	T39	T36 + T35 x 2
	6.52	T40	T35 x 2
	8	T39	T36
	10	T39	T37
CSA 13.52 - 17.52 FHA 13.52 - 17.52	12	T39	T38
	12.52	T40	T38
CSA 13.52 - 17.52 FHA 13.52 - 17.52	13.52	T39	T36
	15.52	T39	T37
	17.52	T40	T37
CSA 13.52 - 17.52 FHA 13.52 - 17.52	17.52	T39	T38
		T40	T38

Gasket Types	



FHA 13.52 - 17.52

Glass notch



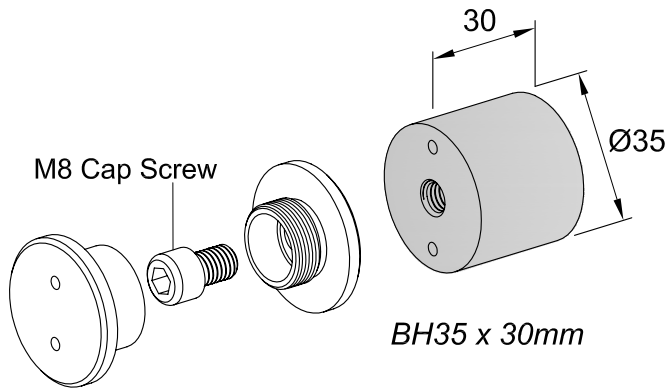
P & M[®] Point Fix System

BH35 Modular Standoff

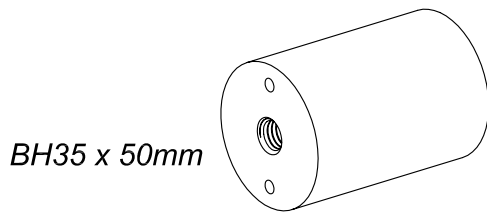
BH35 Base - 30mm, 50mm, 75mm and 100mm height to receive
CSA Countersunk and FHA Flathead Adjustable Point Studs

Material : SUS304

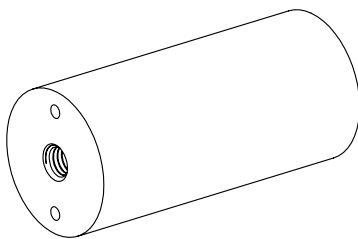
Finish : Satin Stainless Steel



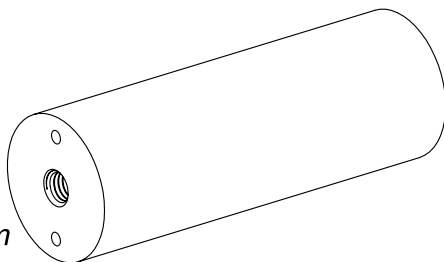
FHA 6 - 12.52



BH35 x 75mm



BH35 x 100mm



FHA Point Stud

