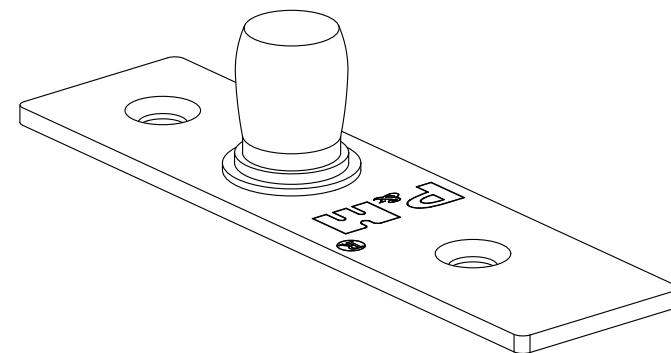
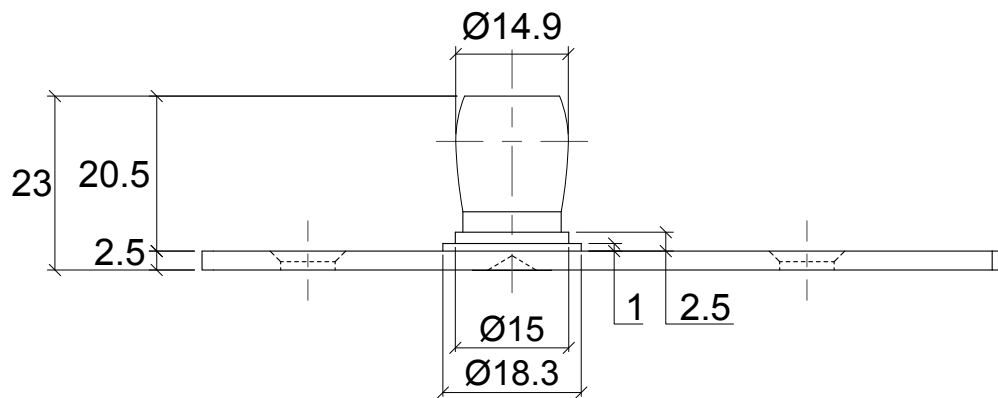
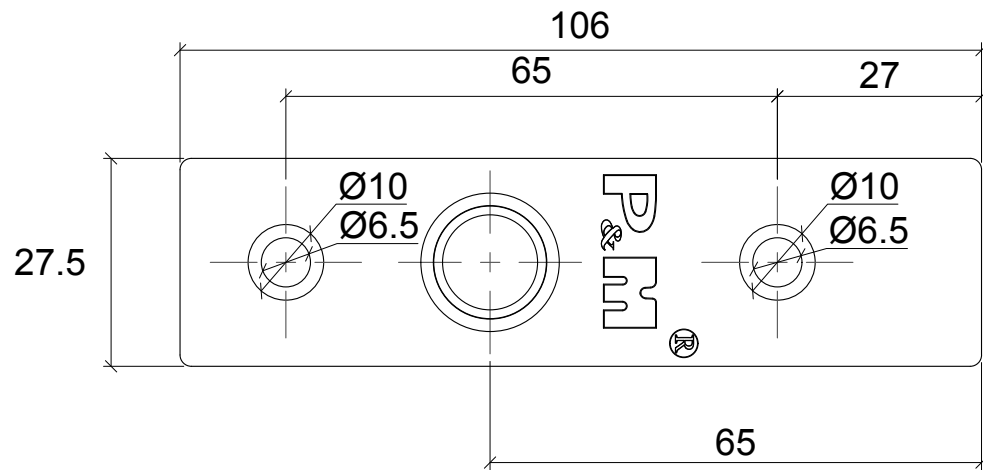


REV.	DESCRIPTION	DATE
1	-----	-----
2		
3		



REV.	DESCRIPTION	DATE
1	.....	.....
2	.....	.....
3	.....	.....

