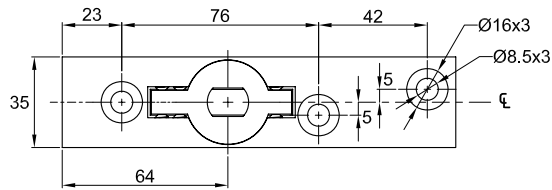
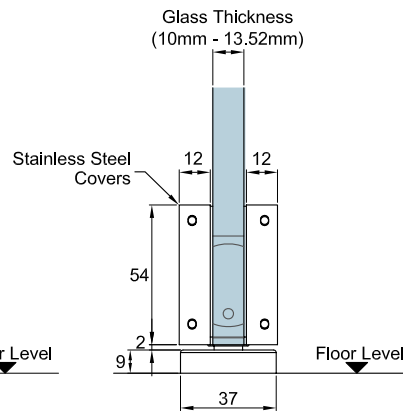
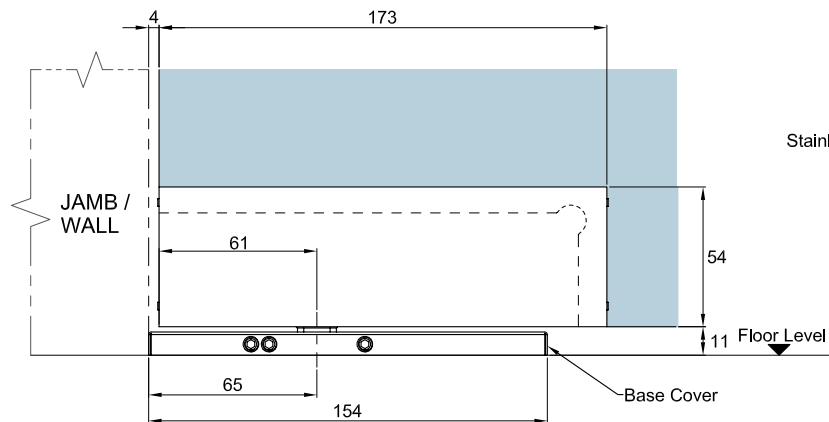


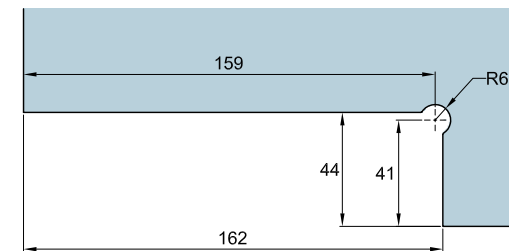
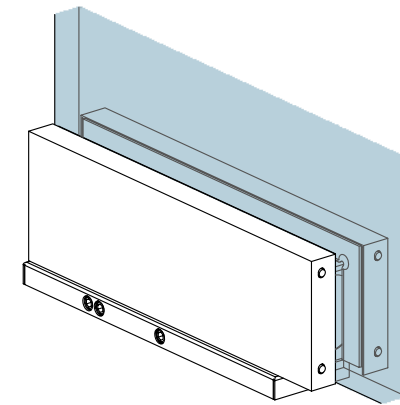
Glass Thickness	10 - 13.52 mm Glass Thickness
Finishes	Polished Stainless Steel Satin Stainless Steel



Base



PS750 Patch Spring Gasket Application	
Glass Thickness	1mm thick Gasket
10 mm	6 nos
12 mm	4 nos
13.52 mm	2 nos



Glass Preparation



Preference Pte. Ltd.
www.preference.com.sg

Model: PS750 Hydraulic Patch Spring

Art. No.

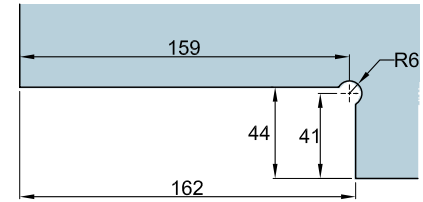
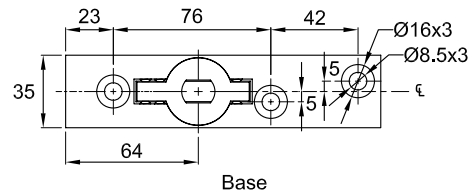


Date : 29-DEC-2014

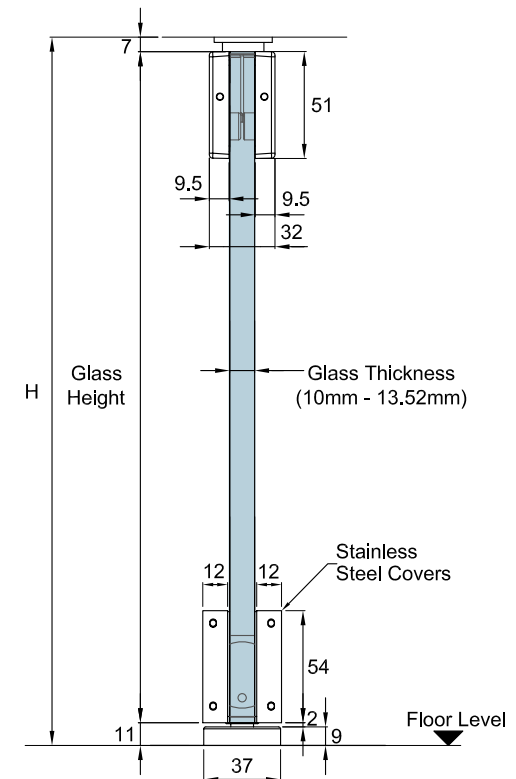
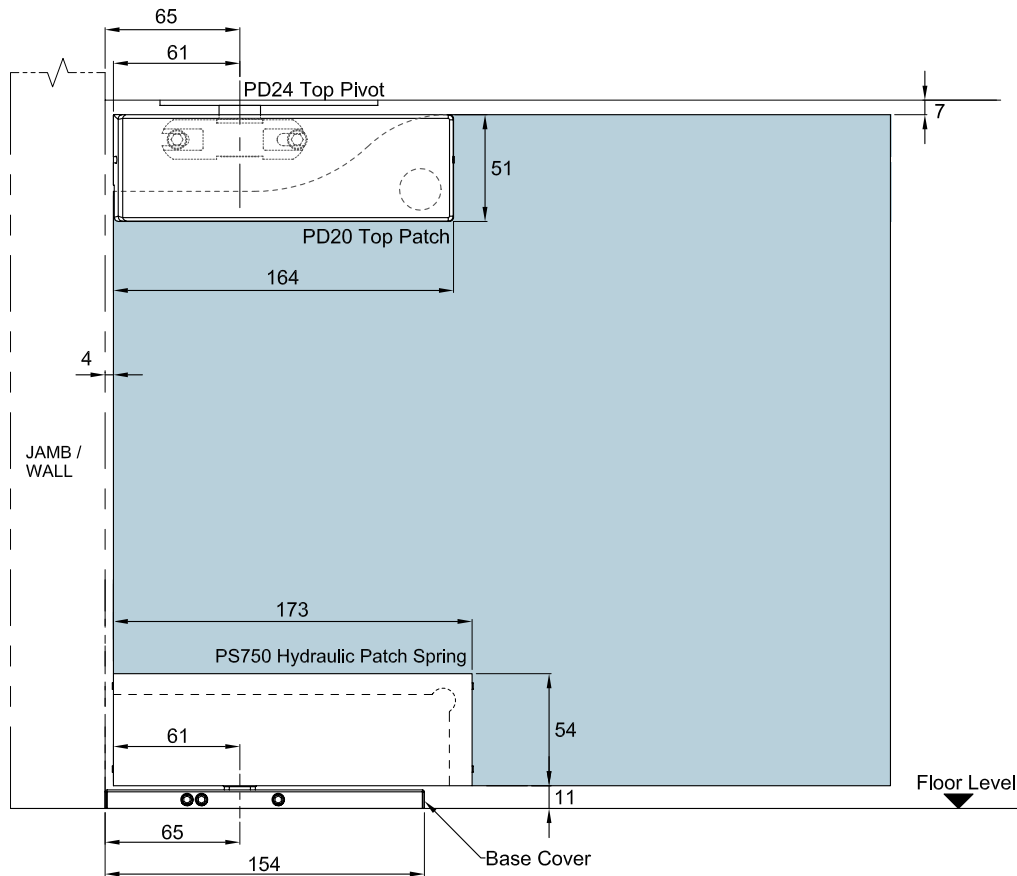
Disclaimer:

This drawing shows the actual stage of product development at the date indicated. No claims or damages in any form can be made against Preference Pte. Ltd. as a result of the interpretation of this drawing. This drawing remains the property of Preference Pte. Ltd. and is made available to third parties only for the duration of contractual obligations. All rights connected with this drawing remain in possession of Preference Pte. Ltd. This drawing may not be copied or handed over to third parties without the express consent of Preference Pte. Ltd.

Glass Thickness	10 - 13.52 mm Glass Thickness
Finishes	Polished Stainless Steel Satin Stainless Steel



Glass Preparation for PS750 Hydraulic Patch Spring



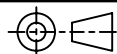
GLASS HEIGHT = H - (11 + 7)
 *** H = Clear Height



Preference Pte. Ltd.
 www.preference.com.sg

Model: PS750 Hydraulic Patch Spring
 Elevation and Cross Section

Art. No.



Date : 29-DEC-2014

Disclaimer:

This drawing shows the actual stage of product development at the date indicated. No claims or damages in any form can be made against Preference Pte. Ltd. as a result of the interpretation of this drawing. This drawing remains the property of Preference Pte. Ltd. and is made available to third parties only for the duration of contractual obligations. All rights connected with this drawing remain in possession of Preference Pte. Ltd. This drawing may not be copied or handed over to third parties without the express consent of Preference Pte. Ltd.